

TVT

Secure The World With You

HD CCTV
Over Coax



1080P DISPLAY

5MP Lite Record

5MP Lite Playback



TD-2100TS-HC

TVT

TVT DIGITAL TECHNOLOGY CO., LTD.

Address: 23rd Floor, Block B4, Building NO.9, Shenzhen Bay
Eco-Technology Park, Nanshan District, Shenzhen, Guangdong
Province, P.R.China
Tel: +86-755-36995888
Fax: +86-755-33104777
Web site: <http://en.tvt.net.cn>
E-mail: overseas@tvtnet.cn



HD



H.265



DDNS



Network



PTZ



Audio



MIC



Mobile



CMS



USB



Mouse



E-mail

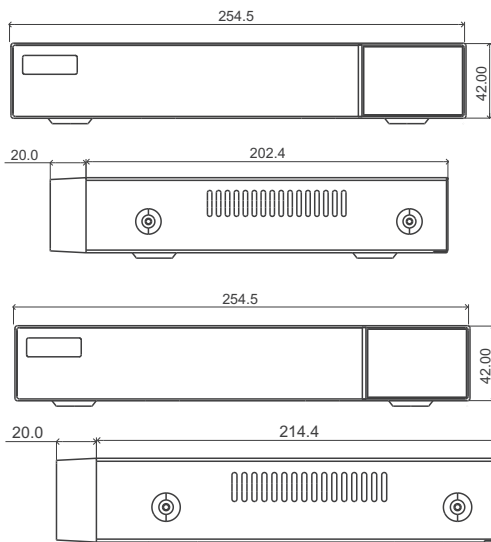
Introduction

TD-2100TS-HC series are 4 / 8 / 16 CH 1080P high definition DVRs with ability to connect analog and IP cameras simultaneously, which adopt the standard H.265 high profile compression format and the most advanced SOC technique to ensure real time recording in each channel and realize outstanding robustness of the system. TD-2100TS-HC support 4 / 8 / 16 CH video input, 1 / 1 CH audio input, simultaneous 4 / 8 / 16 CH playback. The series of product can meet different security requirements of home, financial, commerce, enterprise, transportation and government, etc.

Characteristics

- 4 / 8 / 16 CH TVI / AHD / CVI 5MP / 4MP / 1080P / 720P / WD1 video input
- 4 / 8 / 16 CH DVRs support 2 / 4 / 8 CH 5MP / 4MP / 3MP / 1080P / 960P / 720P IP video input input by default
- 4 / 8 / 16 CH DVRs default support 2 / 8 / 8 CH analog input switched to IP input
- Adopt standard H.265 high profile compression format to get high-quality video at much lower bit rate
- Intuitive and user-friendly Graphics User Interface (GUI), window style operation by mouse
- Multi-mode recording: manual / timer / motion / smart event
- Playback : 4 / 8 / 16 CH simultaneously playback
- Search: time slice, time, event, tag search
- Express and flexible backup via USB, network and so on
- Pentaplex: preview, record, playback, backup and remote access
- DHCP, DDNS, PPPoE network protocol
- Remote control via Web or CMS : preview, playback, backup, PTZ and configuration
- Dual stream technology for local storage with high definition, remote network transmission and remote surveillance with mobile device
- Multi-user online simultaneously
- Authorization management, log review and device status review
- Support 1080P output, true high resolution display
- Support PTZ preset and auto cruise, up to 255 presets and 8 cruises
- Support NAT function and QRCode scanning by mobile phones
- Powerful mobile surveillance by smart phones with iOS and Android OS

Dimensions

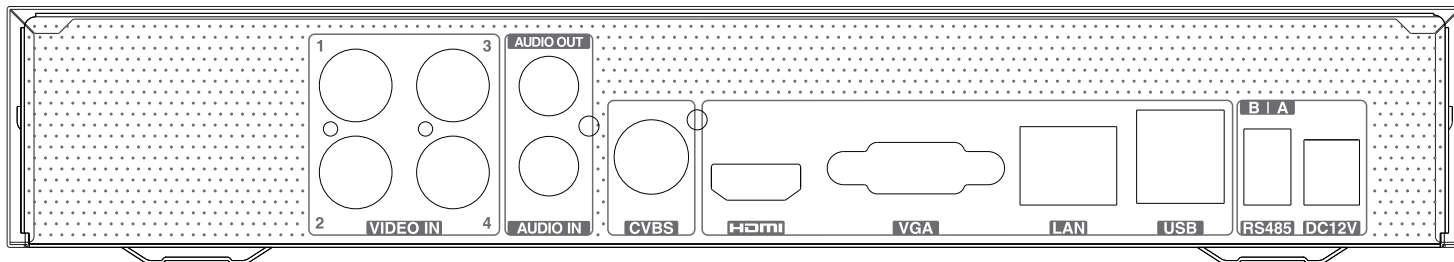


Specification

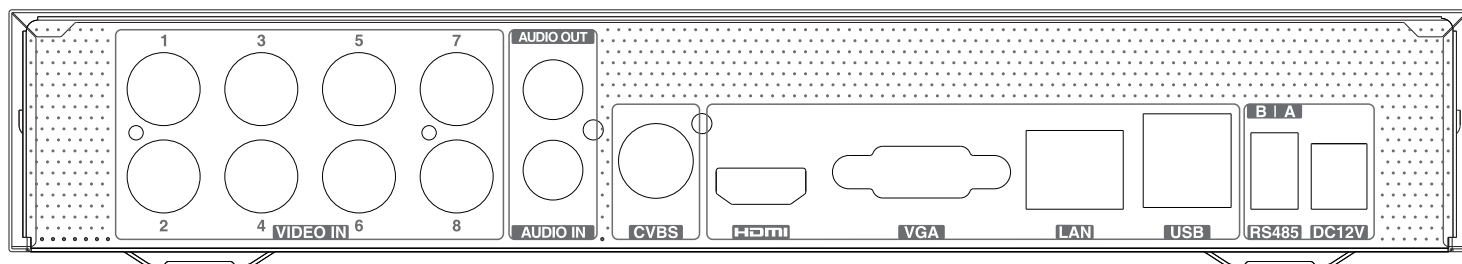
| Model | | TD-2104TS-HC | TD-2108TS-HC | TD-2116TS-HC |
|---------------|---------------------|---|----------------------|------------------------------|
| System | OS | Embedded Linux | | |
| Video | Analog Input | BNC × 4 | BNC × 8 | BNC × 16 |
| | Resolution | TVI / AHD / CVI : 5MP / 4MP / 1080P / 720P / WD1 | | |
| | IP Input | 2CH (Up to 6CH) | 4CH (Up to 12CH) | 8CH (Up to 16CH) |
| | Total Input | 6CH | 12CH | 24CH |
| Audio | Output | HDMI × 1 : 1920 × 1080 / 1280 × 1024 / 1024 × 768 VGA × 1 : 1920 × 1080 / 1280 × 1024 / 1024 × 768 BNC × 1 : CVBS (used as the main or spot output) | | |
| | Input | RCA × 1 | | |
| | Output | RCA × 1 (linear, 600Ω) | | |
| Standard | Two-way audio | Take up channel one audio input | | |
| | Video Compression | H.264/H.265 | | |
| Record | Audio Compression | G.711(U/A) | | |
| | Resolution | 5MP Lite/4MP Lite/1080P/1080P Lite/720P/WD1 | | |
| | Frame Rate | Analog Channel: 5MP Lite : 10fps; 4MP Lite/1080P : 12fps (PAL)/15fps (NTSC); 1080P Lite/720P/WD1 : 25fps (PAL)/30fps (NTSC) IP Channel: 25fps (PAL)/30fps (NTSC) | | |
| | Bit Rate | 32Kbps ~ 4Mbps | 32Kbps ~ 4Mbps | 32Kbps ~ 5Mbps |
| IP Input | Mode | Manual, timer, motion | | |
| | Resolution | Up to 5MP@25fps | Up to 5MP@30fps | Up to 5MP@30fps |
| | Playback | 4 CH | 8 CH | 16 CH |
| | Search | Time slice / time / event / tag search | | |
| Play back | Smart Search | Highlight colors to display the camera record in a certain period of time, different colors refer to different record events | | |
| | Function | Play, pause, FF, FB, digital zoom, etc. | | |
| Alarm | Input | No | | |
| | Output | No | | |
| Network | Interface | RJ45 100Mbps × 1 | | |
| | Protocol | TCP/IP, PPPoE, DHCP, DNS, DDNS, UPnP, NTP, SMTP, HTTP, HTTPs | | |
| | Incoming Bandwidth | 16Mbps (Max. 36Mbps) | 32Mbps (Max. 60Mbps) | 32Mbps (Max. 64Mbps) |
| | Outgoing Bandwidth | 40Mbps | 60Mbps | 80Mbps |
| Mobile Device | OS | iOS, Android | | |
| Storage | HDD | SATA × 1, up to 6TB | SATA × 1, up to 6TB | SATA × 1, up to 8TB |
| | Local Backup | U disk, USB mobile HDD | | |
| Backup | Network Backup | Yes | | |
| | RS485 | RS485 × 1, connect to PTZ or keyboard | | |
| Port | USB | USB 2.0 × 2 (in the rear panel) | | |
| | Remote Controller | Optional | | |
| Others | Power Supply | DC12V / 1.5A | DC12V / 2A | DC12V / 3A |
| | Consumption | ≤5W (without HDD) | ≤8W (without HDD) | ≤10W (without HDD) |
| | Dimensions (mm) | 255 × 222 × 42 (W × D × H) | | 255 × 234 × 42 (W × D × H) |
| | Working Environment | -10 ~ 50 °C , 10% ~ 90% humidity | | |

Rear Panels

TD-2104TS-HC



TD-2108TS-HC



TD-2116TS-HC

