



TD-YZJ1005

Floor-Standing Mount

Features

- Material : Aluminum alloy and plastics
- Floor-standing mounting bracket for face recognition (&temperature measurement) terminal

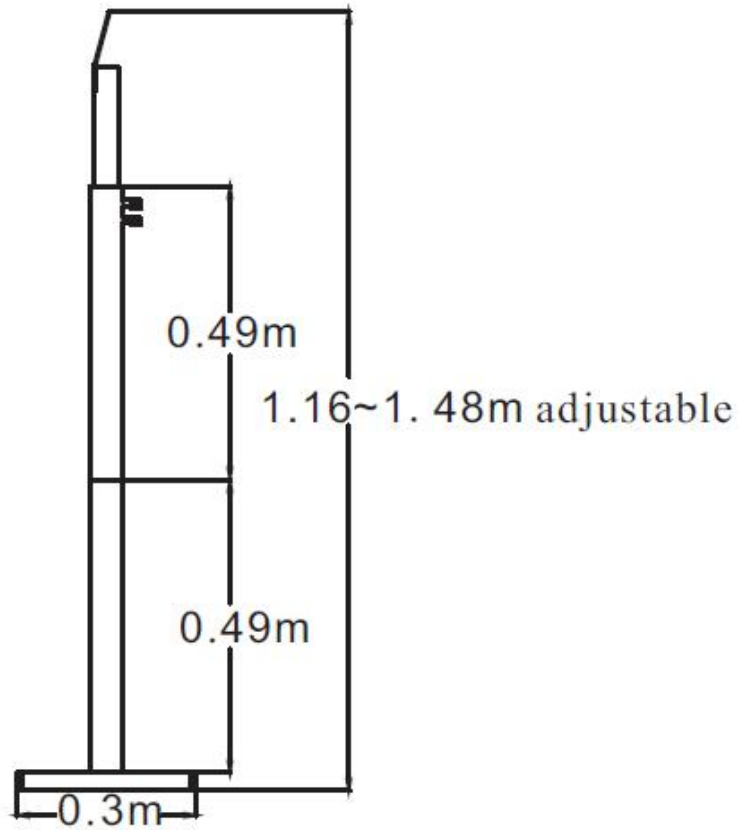
Specifications

| | |
|-------------------------|---------------------------|
| Model | HD-YZJ1005 |
| Material | Aluminum alloy + plastics |
| Color | Black |
| Min. Packaging Quantity | 4 |
| Packing Size | 670x580x390mm |
| Dimension | 300x300x1480m |
| Net Weight | Approx. 4600g |

Available Model

| | | |
|-----------------|------------|----------------------|
| Available Model | HD-YZJ1005 | Floor-standing mount |
|-----------------|------------|----------------------|

Dimensions



Shenzhen TVT Digital Technology Co., LTD.

Address: 23rd Floor, Block B4, Building NO.9, Shenzhen Bay Eco-Technology Park, Nanshan District, Shenzhen, Guangdong Province, P.R. China

Tel: +86-755-36995888

Website: <http://en.tvt.net.cn>

Fax: +86-755-33104777

E-mail: overseas@tvt.net.cn