

Since 1968

COMMAX
SmartHome & Security

User Manual

Door Camera DRC-4CPN3



www.commax.com

COMMAX Co.,Ltd.



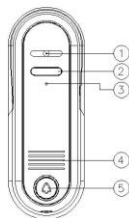
- Thank you for purchasing COMMAX products.
- Please carefully read this User's Guide (in particular, precautions for safety) before using a product and follow instructions to use a product exactly.
- The company is not responsible for any safety accidents caused by abnormal operation of the product.

Contens

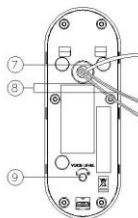
1. The names of Each Part
2. Wiring & Installation
3. Package
4. Specification

1. The names of Each Part

Front side



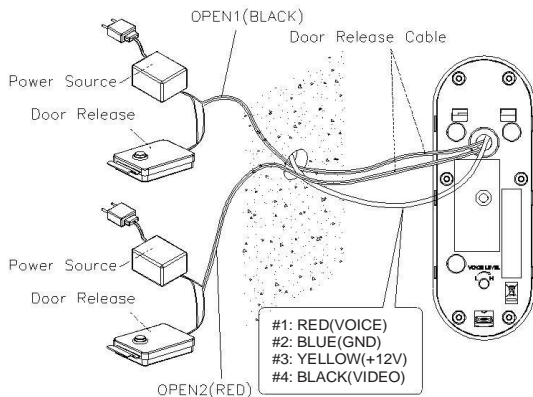
Back side



- | | |
|---------------|----------------------|
| ① Camera | ⑥ Mounting Holes |
| ② LED Lamp | ⑦ Monitor cable |
| ③ Microphone | ⑧ Door release cable |
| ④ Speaker | ⑨ Volume control |
| ⑤ Call Button | |



2. Wiring & Installation



[FIG-3]

1. Align holes on the wall where the unit is to be installed with mounting brackets hole and secure.

FIG-1 : Install the camera at a 30angle to the left (install the bracket in reverse to angle 30to the right)

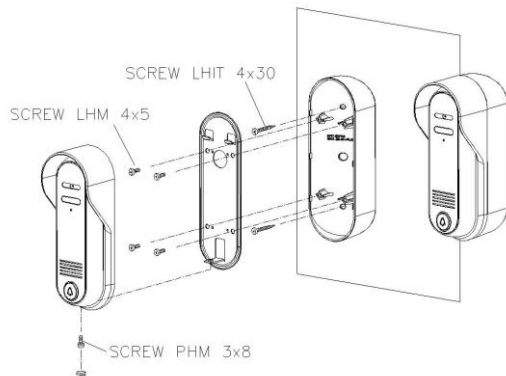
FIG-2 : Install the camera at a perpendicular angle to the front

2. Wire the household monitor cables as shown below with matched polarity as picture below[FIG-3]

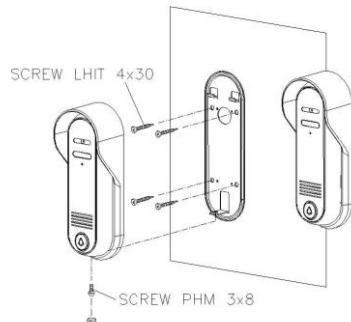
(#1: RED/VOICE, #2: BLUE/GND, #3: YELLOW/DC12V, #4: BLACK/VIDEO)

3. Wire the door release cable as shown in the diagram.[FIG-3]

4. Tighten using bolts and a wrench, then cover using the AL. screw covers.

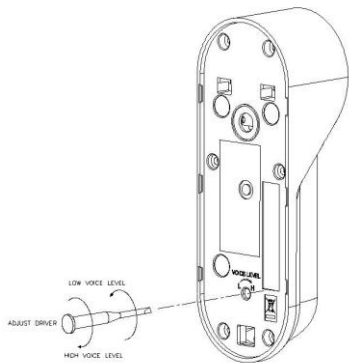


[FIG-1]



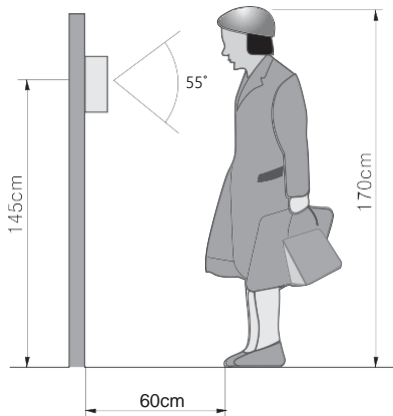
[FIG-2]

- You can adjust speaker volume using driver as shown below. [FIG-4]

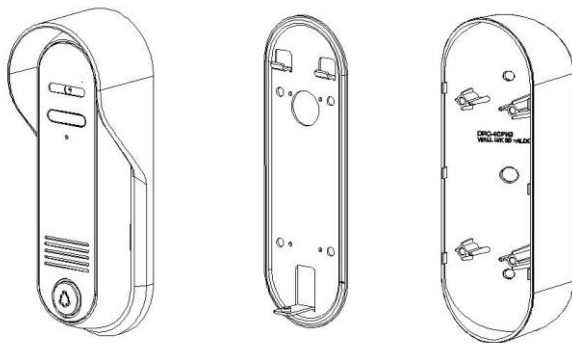


[FIG-4]

- Please refer to the below images regarding the installation position of the product.



3. Package



M/T HOLE CAP



SCREW PHM 3*8



SCREW LHM 4*5



SCREW LH1T 4*30



4. Specification

specification	Model	DRC-4CPN3
Image Sensor		CMOS 1/3"
Sensor Resolution		0.52 megapixel
Power source		12V (supplied from the Monitor)
Wiring (household)		Polar 4 wires
Call mode		Duplex
Camera angle		Horizontal angle 48.6°
		Vertical angle 37.5°
Format		NTSC or PAL STANDARD
Horizontal / vertical Frequency		15.734 kHz / 60 Hz or 15.625 kHz / 50
Lamp		Built-in white LED (automatically turns on in night)
Low illumination		0.1 LUX (Up to 300mm in front of the camera)
Workable temperature		-10°C (tested up to -40°C) +50°C
Dimension (mm)		59(W) x 164(H) x 42.1(D)
Weight (g)		415g (B/K included)
Warranty Period		1 year
Environment Condition	Storage Temperature	-40°C to 50°C
	Storage Humidity	Less than 90%
Product Life Cycle		10 years

COMMAX

COMMAX Co.,Ltd.

513-11, Sangdaewon-dong, Jungwon-gu, Seongnam-si, Gyeonggi-do, Korea

Int'l Business Dept. : Tel.; +82-31-7393-540~550 Fax.; +82-31-745-2133

Web site : www.commax.com

Printed In Korea / 2016.04.105