

# Quick Installation Guide

## Attention:

Please make sure the installation surface is thick enough to sustain at least 3X weight of the camera.

## Note:

- If you want to install in the wood surface, expansion bolts are not necessary.
- The screw depth shall reserve 8mm-10mm to secure the bracket.

## Model A

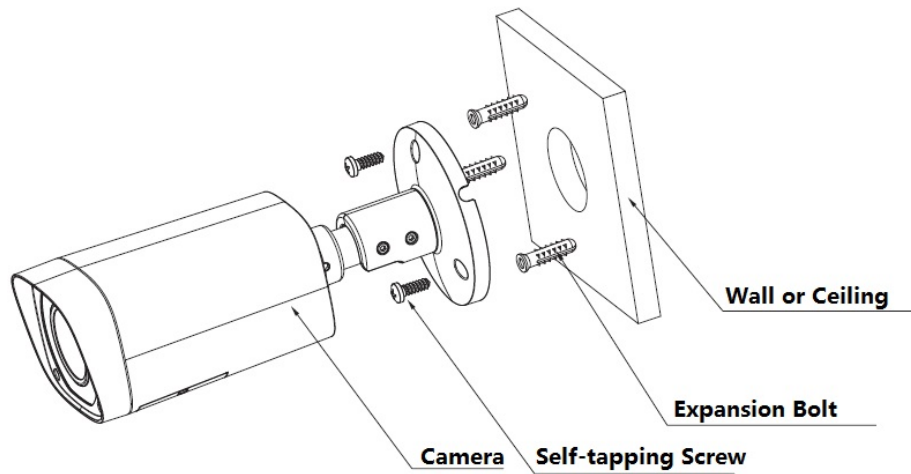


Figure 1-1

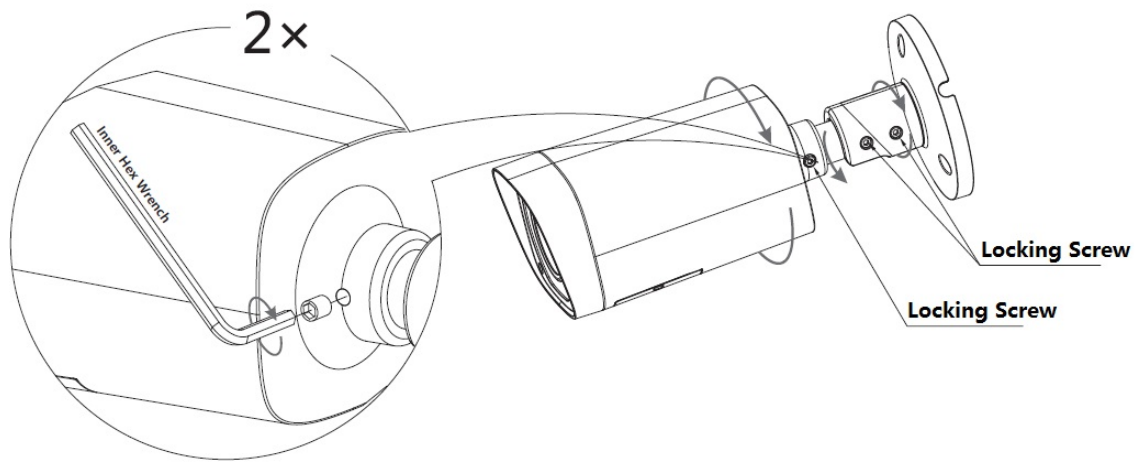


Figure 1-2

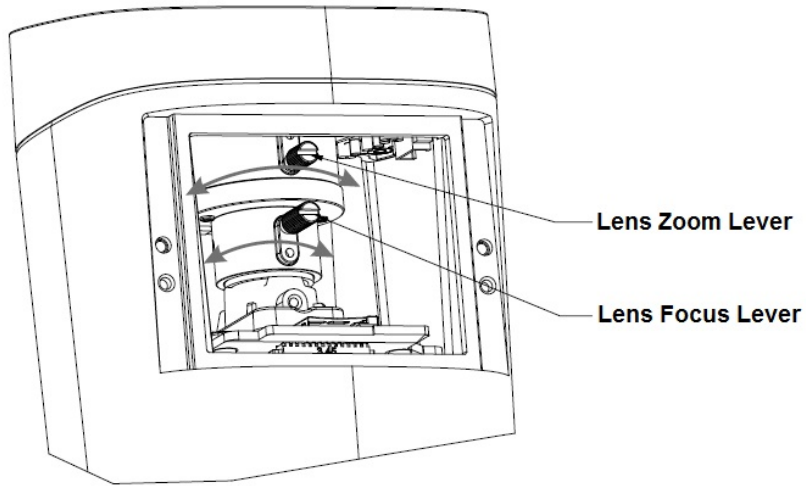


Figure 1-3

**Model B and Model C**

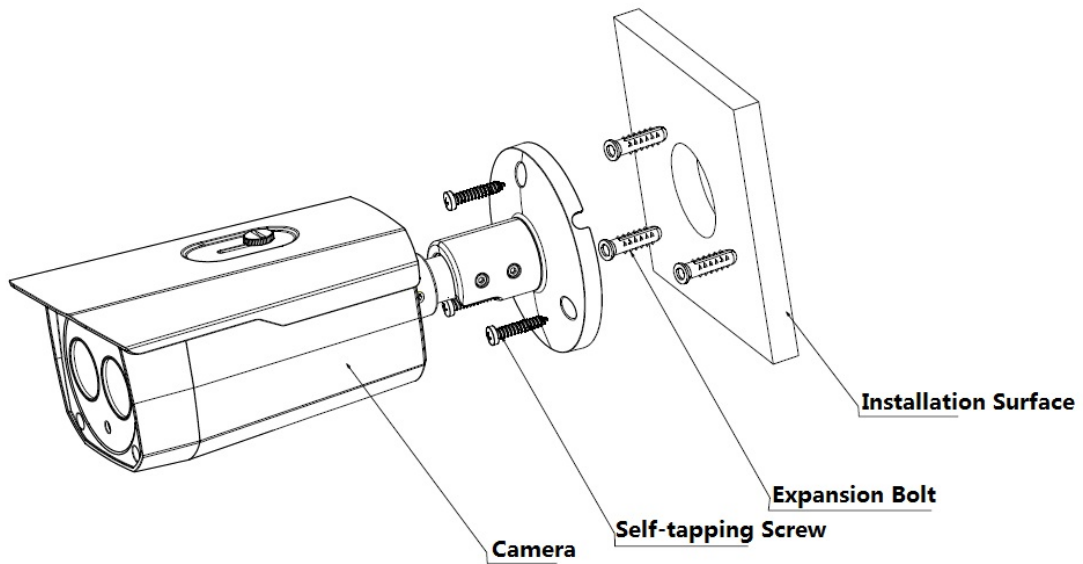


Figure 1-4

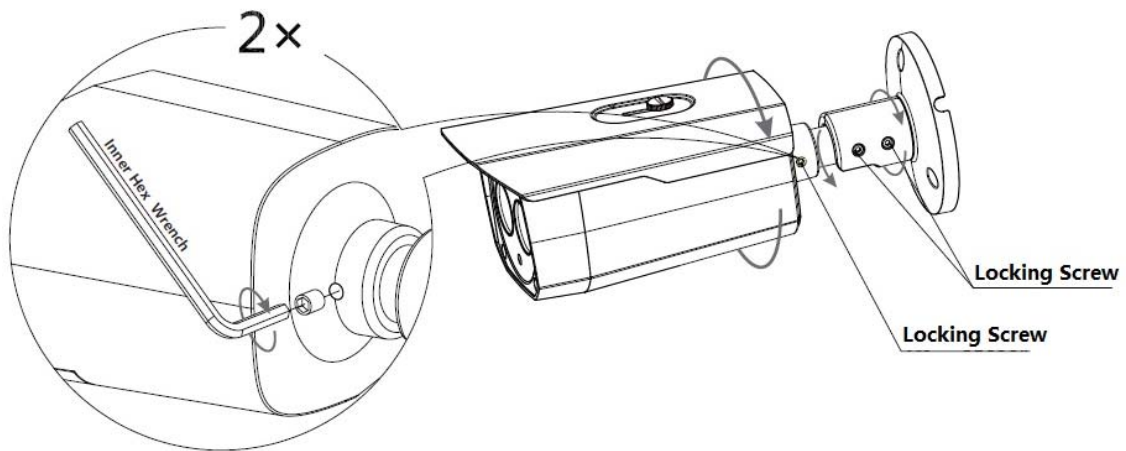


Figure 1-5

**Note:**  
 Model B and C have the same structure but different layout of IR LEDs.

**Model D**

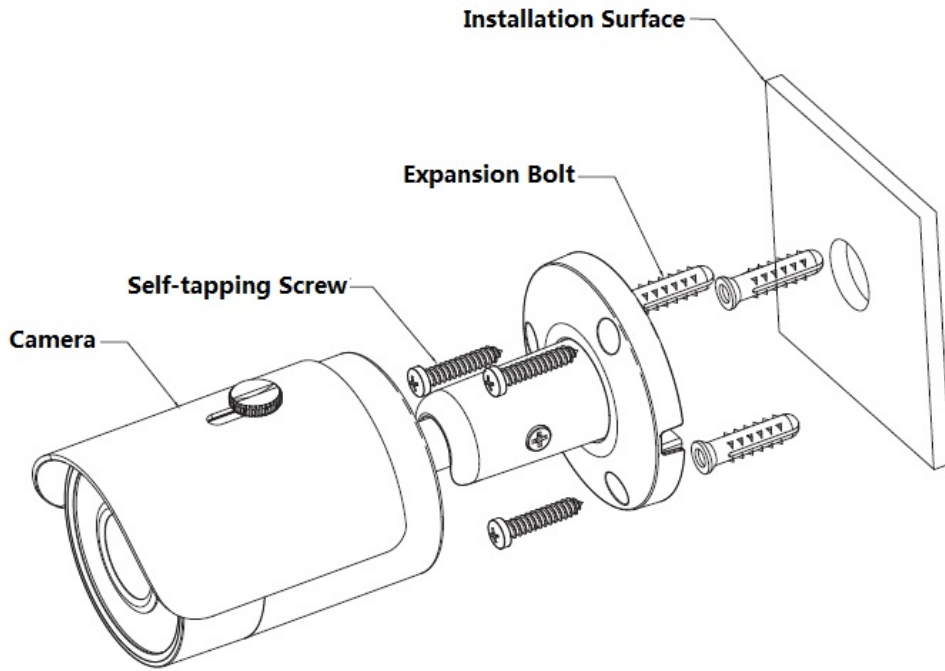


Figure 1-6

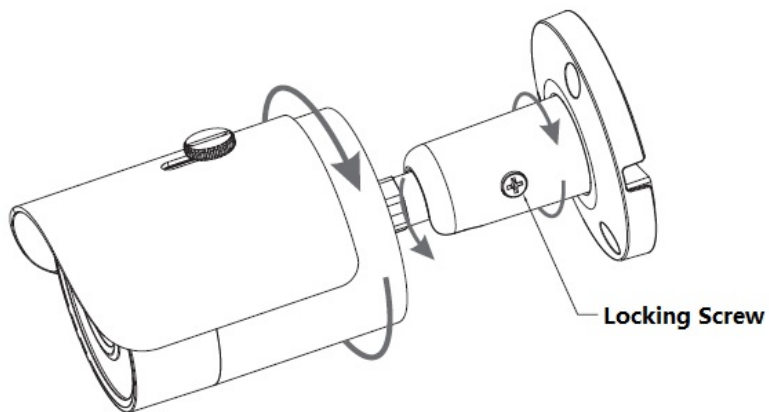


Figure 1-7

**Model E**

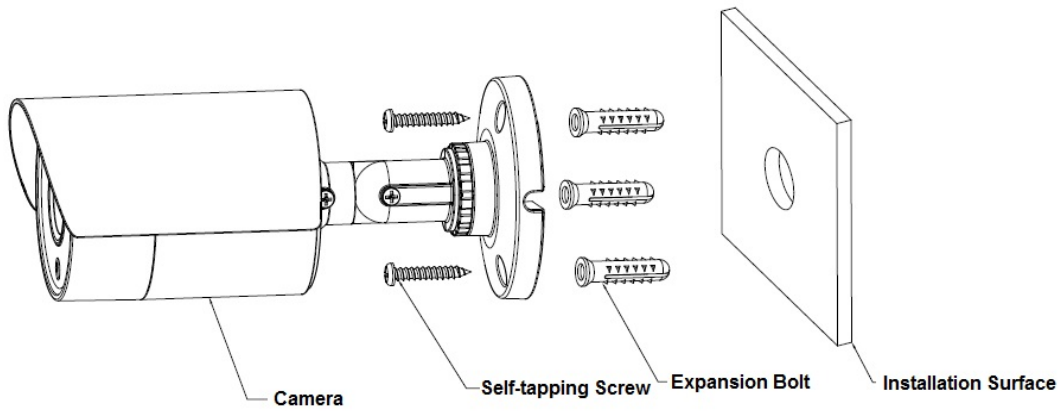


Figure 1-8

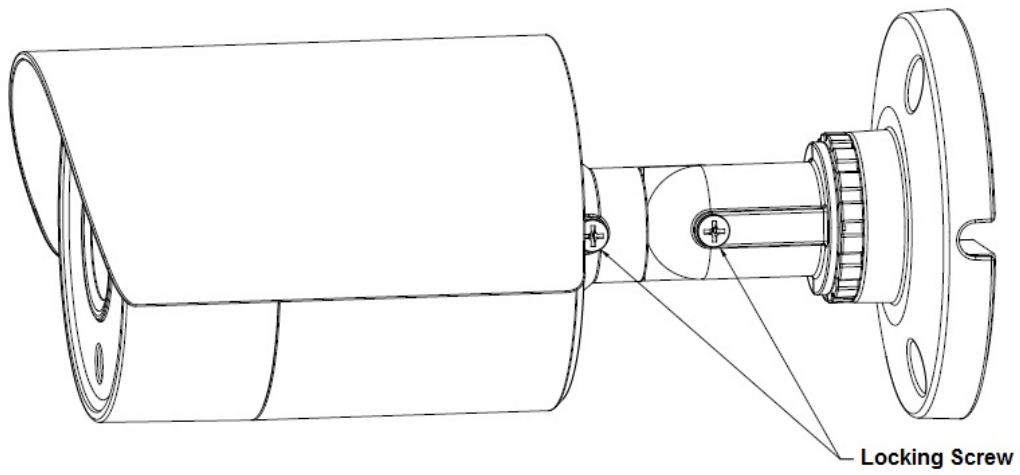


Figure 1-9

**Model F**

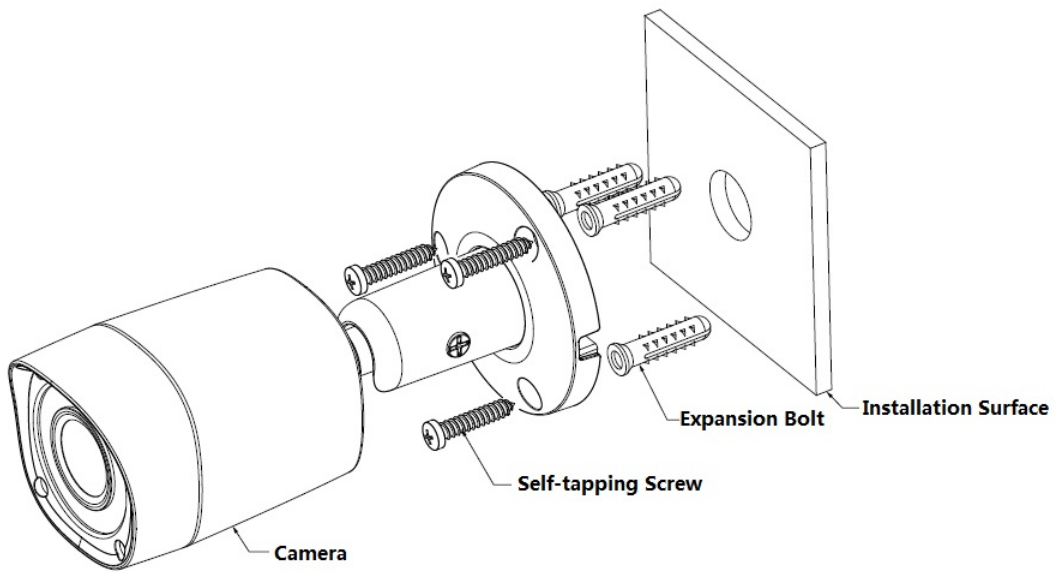


Figure 1-10

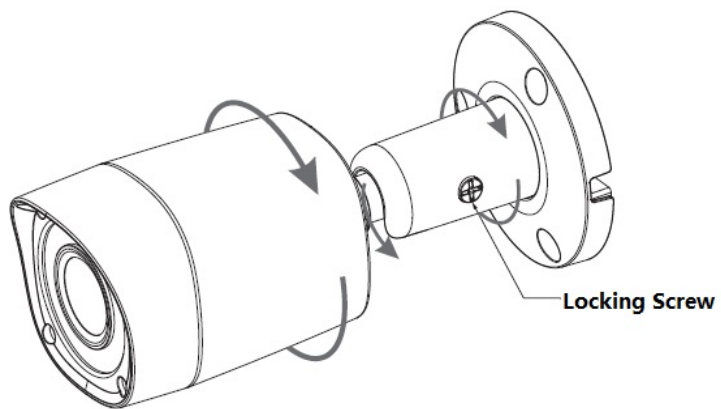


Figure 1-11

## Model G

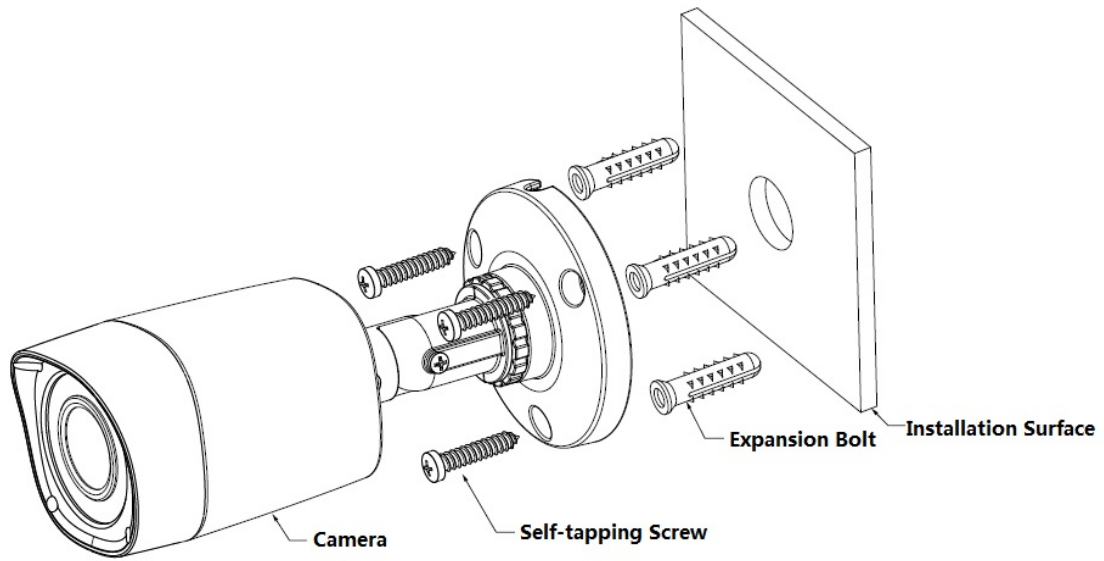


Figure 1-12

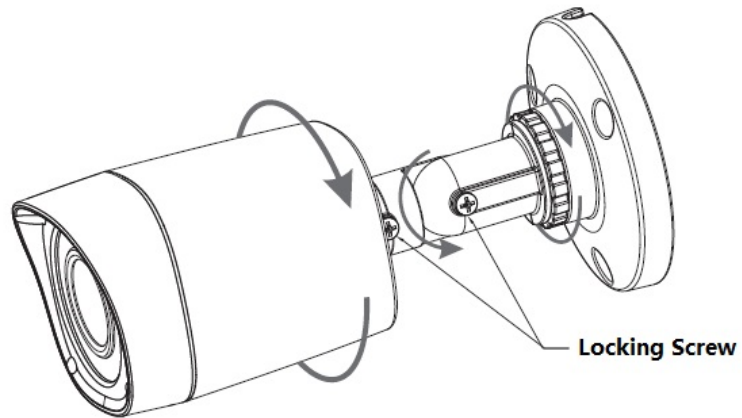


Figure 1-13

### Note

- This manual is for reference only. Please visit our website or contact your local service engineer for more information.