

## THUNDER Pro TQ50 Thermal Scope



HIKMICRO THUNDER Pro TQ50 Thermal Scope has 640 × 512 thermal detector and 1024 × 768 OLED monitor, which provides clear image under harsh environment conditions like darkness, fog, smoke, dust, rain, snow, wood, camouflage, etc. The scope is mainly applied to scenarios such as patrolling, and hunting, etc.

### Key Features

- 640 × 512 thermal resolution, high sensitivity detector, NETD <35 mK (25°C, F# = 1.0)
- Image processing technology: Adaptive AGC, DDE, 3D DNR
- 1024 × 768 resolution 0.39-inch OLED display
- Supports distance measurement, and hotspot function
- Supports video recording and snapshot, built-in EMMC (16 GB)
- Supports digital zoom and cursor function, palettes of color adjustable
- Observation distance up to 2600 m

## Specification

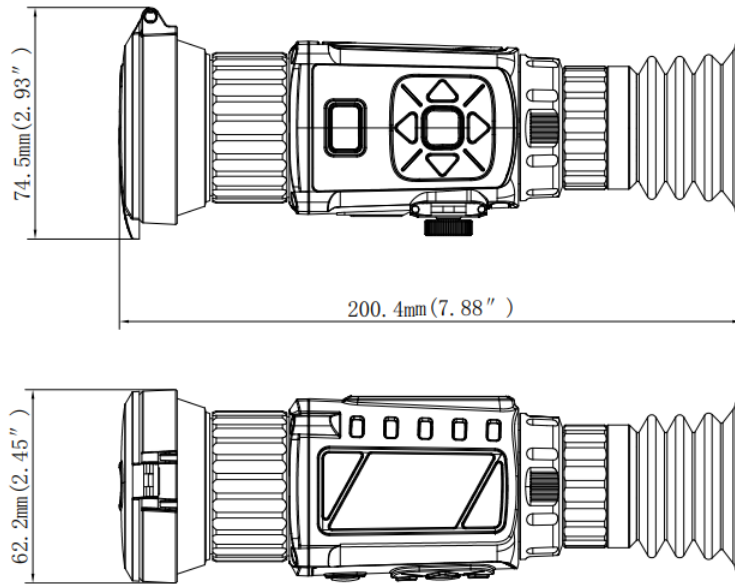
<b>Thermal Module</b>	
Image Sensor	Uncooled Focal Plane Arrays
Pixel Interval	12 $\mu\text{m}$
Max. Resolution	640 $\times$ 512
Response Waveband	8 $\mu\text{m}$ to 14 $\mu\text{m}$
NETD	<35 mK (25°C, F# = 1.0)
Lens (Focal Length)	50 mm
Detection Range	2600 m
IFOV	0.24 mrad
Field of View	8.78° $\times$ 7.03°
Min. Focusing Distance	5 m
Aperture	F1.0
Frame Rate	50 Hz
Magnification	2.6x
<b>Image Display</b>	
Display	1024 $\times$ 768, 0.39 inch, OLED
Palettes	Black hot, white hot, red hot, fusion
Exit Pupil	6 mm
Eye Relief	45 mm
Diopter (Range)	-5 D to 3 D
<b>System</b>	
Digital Zoom	1x, 2x, 4x, 8x
Reticle	Yes
Hotspot	Yes
Distance Measurement	Yes
Record Video	On-board video recording
Standby mode	Yes
Capture Snapshot	Yes
Hot Track	Yes
DPC	Yes
PIP	Yes
Uniformity Correction	Auto, Manual, External Correction
Storage	Built-in EMMC (16 GB)
<b>Power Supply</b>	
Battery	Replaceable Applicable type: CR123A, RCR123A
Battery Operating Time	3.75 h (25°C, with hotspot off)
Anti-reverse battery connection	Yes
Overvoltage Protection	Yes

Battery Capacity Display	Yes
Type-C Power Supply	5 VDC, 2 A Supports external power supply
<b>General</b>	
Port	Type-C
Working Temperature	-20°C to 55°C (-4°F to 131°F)
Protection Level	IP67
Vibration & Shock	750 g/1 ms
Dimension (L × W × H)	200.4 mm × 74.5 mm × 62.2 mm (7.88" × 2.93" × 2.45")
Weight	492 g without eyepiece and batteries

### Available Model

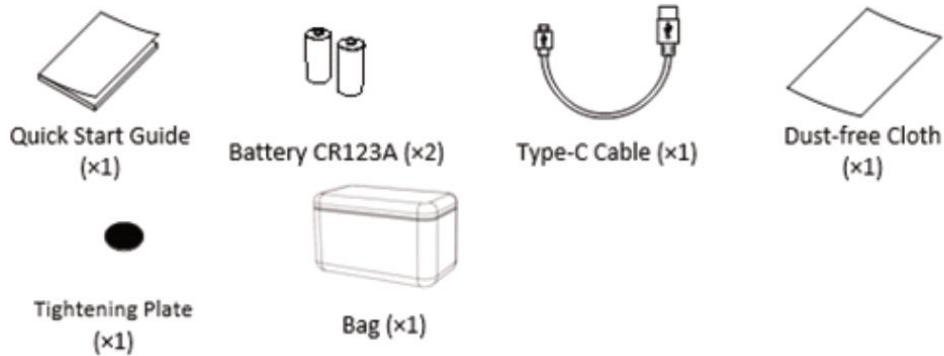
HM-TR16-50XG/W-TQ50

## Dimension

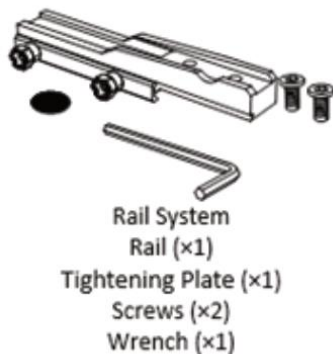


Unit: mm [inch]

## Accessory



### Optional



**COMPLIANCE NOTICE:** The thermal series products might be subject to export controls in various countries or regions, including without limitation, the United States, European Union, United Kingdom and/or other member countries of the Wassenaar Arrangement. Please consult your professional legal or compliance expert or local government authorities for any necessary export license requirements if you intend to transfer, export, re-export the thermal series products between different countries.

