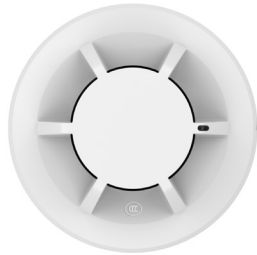


# DHI-HY-1301

## Addressable Smoke Detector



- Convenient wiring: Two-wire, polarity-free
- Reliable communication: Built-in microprocessor, stable performance
- Ultra-low power consumption: Ultra-low monitoring current and alarm current
- Detection performance: Accurate smoke detection by sensitive sensor

### System Overview

DHI-HY-1301 Addressable Smoke Detector is a mated product of the Addressable Fire Alarm Control Panel. Integrated with non-polarity two wire and smoke sensor, this detector analyzes ambient smoke concentration by intelligent algorithm to trigger alarms. When the concentration has reached the alarm threshold, the Addressable Fire Alarm Control Panel will confirm a fire alarm according to the received message sent from the detector, and the detector indicator will light simultaneously to indicate alarm.

### Functions

#### Fast response

When the smoke concentration reaches the alarm threshold, the detector re-ports fire alarm within 1 second.

#### Dual photoelectric smoke sensing chamber

Integrated with dual photoelectric smoke sensing chamber, it identifies smoke effectively and provides higher fire detection accuracy.

#### Back light compensation

The smart algorithm of automatic compensation against dust concentration helps adjust alarm threshold, prolong cleaning cycle of chamber, and offer a convenient maintenance.

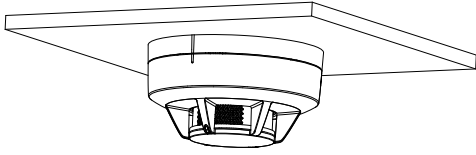
### Scene

It is suitable for such industrial and civil buildings that have a great deal of smoke when fire takes place but no smoke under normal circumstances, such as hotels, teaching buildings, office buildings, computer rooms, communication machine rooms, libraries and archives. It is not suitable for places with a great deal of retained dust and water mist, places where steam and/or oil mist may be generated and places with retained smoke under normal circumstances.

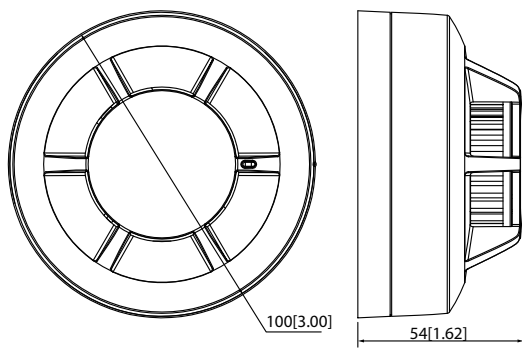
### Technical Specification

Working Voltage	24V DC
Current	Monitoring current: ≤ 180μA Maximum operating current: ≤ 280μA
Indicator	Red Polling: Flash 6 seconds Alarm: Remain lit Fault: Flash 2 seconds
Wiring	Two-wire, polarity-free
Addressing Method	Electrical encoder
Address Range	1-254
Communication Distance	≤ 1500 m (4921.26 ft)
Operating Temperature	-10°C to +50°C (+14°F to +122°F)
Storage Temperature	-20°C to +65°C (-4°F to +149°F)
Operating Humidity	≤ 95% RH (no condensation)
Color	White
Dimensions (with base)	Φ100 mm × 50 mm (Φ 3.00" × 1.50")
Weight (with base)	102 g (0.22 lb)
Certifications	GB 4715-2005

## Installation



## Dimensions (mm/inch)



## Ordering Information

Type	Part Number	Description
Addressable Smoke Detector	DHI-HY-1301	Addressable Smoke Detector
Accessories	DHI-HY-TCDZ	Detector Base