

# DH-HAC-T1A51-U-A

## 5MP IR HDCVI Fixed-focal Eyeball Camera



\* In order to use the 5MP 16:9 HDCVI camera, the firmware of XVR must be upgraded to V4.001.0000001.0.R.200908 or later version.

- Max 25 fps@5MP (16:9 video output).
- Smart IR Illumination.
- 25 m illumination distance.
- Built-in Mic.
- Quick-to-install eyeball saves installation time.
- 2.8 mm fixed lens (3.6 mm optional).
- CVI/CVBS/AHD/TVI switchable.



### Series Overview

The Cooper Series offers simple and highly cost-effective HDCVI solutions. It provides 24/7 reliable monitoring with high-quality image performance, saving cost on both material and labor force. It is also designed and built to the specific standards of Dahua.

### Functions

#### Smart IR Illumination

With its IR illumination, the camera provides optimal performance in low light conditions, ensuring uniformity in the brightness of B/W images. Through its smart IR technology, the camera also compensates for the distance of targets by adjusting the intensity of its IR LEDs, preventing overexposure of images as targets move closer to the camera.

#### 4 Signals over 1 Coaxial Cable

HDCVI technology supports 4 signals (video, audio\*, data and power) which are simultaneously transmitted over a coaxial cable. Dual-way data transmission allows the HDCVI camera to interact with the XVR to perform various actions such as sending control signals and triggering alarms. HDCVI technology also supports PoC, which makes the camera easy and quick to install.

\* Audio input is available for select HDCVI camera models.

#### Long Distance Transmission

HDCVI technology provides long distance transmission in real time without transmission loss. It supports transmission distances up to 700 m for 2-MP/5-MP/8-MP HD videos through coaxial cables, and up to 300 m through UTP cables. The results were obtained and verified through rigorous testing in Dahua's test laboratory.

### Simplicity

HDCVI technology inherits the simplicity of traditional analog surveillance systems, making it a great mechanism for protecting your valuables. HDCVI can be upgraded from the traditional analog system without replacing the existing coaxial cabling. Its plug and play design enables it to produce high-definition videos during surveillance without the hassle of configuring a network.

### Multi-language OSD

The OSD offers multiple functions to meet the many requirements of a monitoring scene, such as backlight mode, day/night mode, white balance, privacy mask, and motion detection. 11 languages are available for OSD: Chinese, English, French, German, Spanish, Portuguese, Italian, Japanese, Korean, Russian and Polish.

### Broadcast-quality Audio

Audio signal transmission over coaxial cables is supported by the HDCVI camera. It adopts a unique audio processing and transmission technology that restores source audio and eliminates noise, ensuring the quality and reliability of the audio information that is collected. This becomes important for video surveillance applications that use audio information as a type of supplementary evidence.

### Easy Installation

HDCVI eyeball comes with a quick-to-install pedestal, which makes it easier to install than conventional eyeballs and reduces cost on time and labor.

**Technical Specification**

Camera

Image Sensor	5 MP CMOS
Max. Resolution	2880 (H) × 1620 (V)
Scanning System	Progressive
Electronic Shutter Speed	PAL: 1/25 s–1/100,000 s; NTSC: 1/30 s–1/100,000 s
Min. Illumination	0.02 lux@F2.0 (Color, 30 IRE) 0.002 lux@F2.0 (B/W, 30 IRE) 0 lux (Illuminator on)
S/N Ratio	>65 dB
Illumination Distance	25 m (82.02 ft)
Illuminator On/Off Control	Auto;Manual
Illuminator Number	2 (IR light)
Angle Adjustment	Pan: 0°–360° Tilt: 0°–78° Rotation: 0°–360°

Lens

Lens Type	Fixed-focal				
Lens Mount	M12				
Focal Length	2.8 mm; 3.6 mm				
Max. Aperture	F2.0				
Field of View	2.8 mm: H: 106°; V: 56°; D: 125° 3.6 mm: H: 92°; V: 48°; D: 109°				
Iris Control	Fixed				
Close Focus Distance	2.8 mm: 1.0 m (3.28 ft) 3.6 mm: 1.3 m (4.27 ft)				
DORI Distance	Lens	Detect	Observe	Recognize	Identify
	2.8 mm	66.0 m (216.54 ft)	26.4 m (86.61 ft)	13.2 m (43.31 ft)	6.6 m (21.65 ft)
	3.6 mm	76.0 m (249.34 ft)	30.4 m (99.74 ft)	15.2 m (49.87 ft)	7.6 m (24.93 ft)

Video

Video Frame Rate	CVI: PAL: 5M@25 fps; 5M@12.5 fps; 4M@25 fps; 1080P@25 fps NTSC: 5M@25 fps; 5M@10 fps; 4M@30 fps; 1080P@30 fps AHD: PAL: 4M@25 fps; NTSC: 4M@30 fps TVI: PAL: 4M@25 fps; NTSC: 4M@30 fps CVBS: PAL: 960H; NTSC: 960H
Resolution	5M (2880 × 1620); 4M (2560 × 1440); 1080p (1920 × 1080); 960H (960 × 576/960 × 480)
Day/Night	Auto(ICR)/Color/B/W
BLC	BLC; HLC; DWDR
WDR	DWDR

White Balance	Auto;Area white balance
Gain Control	Auto;Manual
Noise Reduction	2D NR
Illumination Mode	Smart IR
Mirror	Yes
Privacy Masking	Off/On (8 areas, rectangle)

Certification

Certifications	CE-LVD: EN 62368-1; CE-EMC: EN 55032; EN 55035
----------------	---

Port

Video Output	Video output choices of CVI/TVI/AHD/CVBS by one BNC port
Audio Input	One channel built-in Mic

Power

Power Supply	12 VDC ± 30%
Power Consumption	Max 2.7 W (12 VDC, IR on)

Environment

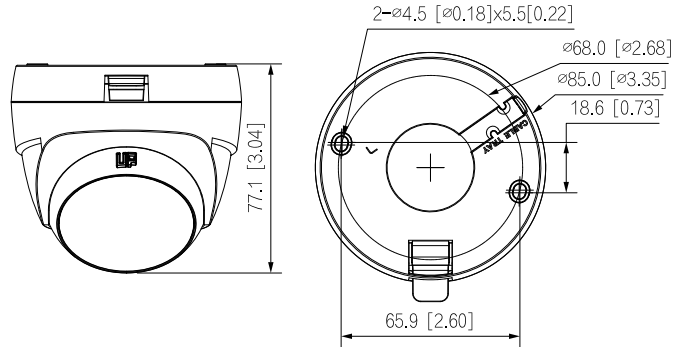
Operating Temperature	–40 °C to +55 °C (–40 °F to +131 °F)
Operating Humidity	<95% (RH), non-condensing
Storage Temperature	–40 °C to +55 °C (–40 °F to +131 °F)
Storage Humidity	<95% (RH), non-condensing
Anti-corrosion Level	Basic Protection

Structure

Casing Material	Plastic
Product Dimensions	Φ85.0 mm × 77.1 mm (Φ3.35" × 3.04")
Net Weight	0.11 kg (0.24 lb)
Gross Weight	0.12 kg (0.26 lb)
Installation	Wall mount; ceiling mount

Ordering Information		
Type	Model	Description
5MP Camera	DH-HAC-T1A51P-U-A	5MP IR HDCVI Fixed-focal Eyeball Camera, PAL
	DH-HAC-T1A51N-U-A	5MP IR HDCVI Fixed-focal Eyeball Camera, NTSC
Accessories (Optional)	PFA12C	Plastic Junction Box
	PFM321D	12V 1A Power Adapter
	PFM800-4K	1-CH Passive Video Balun
	PFM904	Integrated Mount Tester

Dimensions (mm[inch])



Accessories

Optional:



PFA12C  
Plastic Junction Box



PFM321D  
12V 1A Power  
Adapter



PFM800-4K  
1-CH Passive Video Balun



PFM904  
Integrated Mount Tester

