

DHI-TPC-PT8641D

Thermal Network Multi-spectral Pan & Tilt Camera



- Vanadium oxide uncooled focal plane detector.
- 4 Megapixel progressive scan CMOS.
- Visible lens offers 56× optical zoom.
- AI functions: heat detection, smoke detection, tripwire, intrusion, boat detection, and human/vehicle classification.
- Pan: 0° to 360° endless, tilt: -45° to +90°.
- Optical defog and Optical Image Stabilization (OIS).
- Auto rain-sensing wiper.
- Wide input voltage 24–57 VDC.
- IP66 rated.

Featuring thermal and visible channels, Thermal Network Multi-spectral Pan & Tilt Camera offers various AI functions such as heat detection, smoke detection, tripwire, intrusion, human/vehicle classification and boat detection. The camera has flexible configuration with the laser illuminator and laser ranging optional. It is widely applied in outdoor scenes of the long-distance perimeter protection and heat detection.

Technical Specification

Thermal

Detector Type	Vanadium oxide uncooled focal plane detector
Effective Pixels	640 (H) × 512 (V)
Pixel Pitch	12 μm
Spectral Range	8 μm–14 μm
Sensitivity (NETD)	≤35 mK
Focal Length	50 mm; 75 mm; 100 mm
Field of View	50 mm: H: 8.78°; V: 7.03° 75 mm: H: 5.86°; V: 4.69° 100 mm: H: 4.40°; V: 3.52°
Focus Control	Auto; Manual
Aperture	50 mm: F1.0 75 mm : F1.1 100 mm: F1.1
Detection Distance ^①	50 mm: Vehicle: 6,410 m (21,030.18 ft) Human: 2,083 m (6,833.99 ft) 75 mm: Vehicle: 9,615 m (31,545.28 ft) Human: 3,125 m (10,252.62 ft) 100 mm: Vehicle: 12,821 m (42,063.65 ft) Human: 4,167 m (13,671.26 ft)
Recognition Distance ^②	50 mm: Vehicle: 1,572 m (5,157.48 ft) Human: 536 m (1,758.53 ft) 75 mm: Vehicle: 2,359 m (7,739.5 ft) Human: 804 m (2,637.8 ft) 100 mm: Vehicle: 3,145 m (10,318.24 ft) Human: 1,071 m (3,513.78 ft)

Identification Distance ^③	50 mm: Vehicle: 794 m (2,604.99 ft) Human: 268 m (879.27 ft) 75 mm: Vehicle: 1,191 m (3,907.48 ft) Human: 402 m (1,318.9 ft) 100 mm: Vehicle: 1,587 m (5,206.69 ft) Human: 536 m (1,758.53 ft)
--------------------------------------	---

Note:

- ① Detection Distance: Detects objects, but cannot recognize their characteristics (objects must cover more than 3.6 pixels of the image).
- ② Recognition Distance: Classifies objects into general categories, such as human, vehicle (the object must cover more than 14 pixels of the image).
- ③ Identification Distance: Classifies objects into specific categories based on their characteristics, such as engineering truck, car (the object must cover more than 28 pixels of the image).

Digital Detail Enhancement (DDE)	Yes
Image Stabilization	Electronic Image Stabilization (EIS)
Digital Zoom	24 levels
AGC	Auto; Manual
Noise Reduction	2D NR; 3D NR
Image Flip	180°
Color Palettes	18 (white hot; black hot; fusion; rainbow; globow; ironbow1; ironbow2; sepia; color1; color2; icefire; rain; red hot; green hot; spring; summer; autumn; winter)

Visible

Image Sensor	1/1.8" CMOS
Max. Resolution	2688 (H) × 1520 (V)

Pixel	4 MP
Min. Illumination	Color: 0.005 lux Black & white: 0.0005 lux 0 lux (IR on)
AGC	Auto; Manual
Noise Reduction	2D NR; 3D NR
S/N Ratio	>55 dB
White Balance	Auto; manual; indoor; outdoor; tracking; sodium lamp; street lamp; natural
Defog	Optical defog
Image Stabilization	Optical Image Stabilization
Electronic Shutter Speed	1 s–1/30,000 s (auto/manual)
BLC	Yes
WDR	Yes
HLC	Yes
Digital Zoom	Yes
Day/Night	Auto (ICR); Color; B/W
Image Flip	180°
Exposure Compensation	Yes
Focus Control	Auto; semi-auto; manual
Focal Length	6 mm–336 mm
Zoom Speed	<8.8 s
Field of View	H: 64.4°–1.28° V: 38.37°–0.72°
Close Focus Distance	0.1 m–5 m (0.33 ft–16.4 ft)
Optical Zoom	56×
Aperture	F1.5–F5.3
IR Illumination Distance	150 m (492.13 ft)
IR Illuminator On/Off Control	Auto; Manual

Audio and Video

Video Compression	H.265; H.264H; H.264
Resolution	Thermal: Main stream: 1280 × 1024; 1280 × 720; 640 × 512; 1280 × 1024 (default) Sub stream: 640 × 512; 320 × 256; 640 × 512 (default) Visible: Main stream: 2688 × 1520; 1920 × 1080; 1280 × 720; 704 × 576; 2688 × 1520 (default) Sub stream: 704 × 576; 352 × 288; 352 × 288 (default)
Video Frame Rate	Thermal (50 Hz): Main stream: 1 fps–50 fps, 50 fps by default Sub stream: 1 fps–25 fps, 15 fps by default Visible (50 Hz): Main stream: 1 fps–25 fps, 25 fps by default Sub stream: 1 fps–25 fps, 15 fps by default Thermal (60 Hz): Main stream: 1 fps–60 fps, 60 fps by default Sub stream: 1 fps–30 fps, 15 fps by default Visible (60 Hz): Main stream: 1 fps–30 fps, 30 fps by default Sub stream: 1 fps–30 fps, 15 fps by default

Audio Encoding	G.711a; G.711mu; PCM
Image Encoding Format	JPEG

PTZ

Pan/Tilt Range	Pan: 0° to 360° endless Tilt: –45° to +90°
Manual Control Speed	Pan: 0.1°/s–140°/s Tilt: 0.1°/s–50°/s
Preset Speed	Pan: 0.1°/s–140°/s Tilt: 0.1°/s–50°/s
Preset	300
Tour	8 (up to 32 presets per tour)
Pattern	5
Scan	5
Power-off Memory	Yes
Privacy Masking	4 blocks
Idle Motion	Preset; auto pattern; auto tour; pan; progressive scan
Timing Task	Preset; auto pattern; auto tour; pan; progressive scan
Position Display	ON/OFF
Preset Video Freeze	Yes
Telephoto Speed Limit	Yes
Positioning Accuracy	± 0.1°
Wiper	Manual/Auto. Supports setting wiper running times, frequency, and period
3D Positioning	Yes

Laser Illumination (Optional)

Laser Illumination Consumption	4.2 ± 0.4 W
Laser Illumination Wavelength	850 ± 10 nm
Laser Illumination Distance	≥800 m (2,624.67 ft)
Angle of Laser Illuminator	2° to 70° adjustable
Laser Zoom Speed	<5 s
Brightness Setting for Laser Illumination	Auto; Manual

Laser Range Finder (Optional)

Laser Range Finder Wavelength	905 nm
Laser Range Finder Distance	≥1,500 m (4,921.26 ft)

Function

Two-way Audio	Yes
Network Protocol	HTTP; HTTPS; TCP; ARP; RTSP; RTP; UDP; RTCP; SMTP; FTP; DHCP; DNS; DDNS; PPPoE; IPv4/v6; SNMP; QoS; UPnP; NTP; Multicast; SFTP; 802.1x
Region of Interest (RoI)	Yes (customizable)
Storage	FTP; Micro SD card (optional)

Interoperability	ONVIF; CGI; DaHuaSDK
Browser	IE: IE8 and later (includes the browsers with IE kernel, such as 360 Explorer, Sougou Explorer) Chrome: 42 and earlier Firefox: 42 and earlier
User/Host	Up to 12 (total bandwidth: 64 MB)
Security	Authorized username and password; attached MAC address; encrypted HTTPS; IEEE 802.1x; controlled network access
User Management	Up to 20 users; supports multi-level user permissions (2 levels): management group and user group
Malfunction Detection	Network disconnection detection; IP conflict detection; memory card state detection; memory space detection
PIP	Yes

Intelligence

Heat Detection	Yes. Marks the detected anomaly.
Cold/Hot Spot Trace	Yes
Perimeter Protection	Yes. Supports tripwire and intrusion.
Target Distinction	Human/Vehicle Classification
Target Filtering	Yes
Target Tracking	Yes
Smoke Detection	Yes
Boat Detection	Yes

Port

Analog Output	1 × CVBS output; BNC port
Network Port	1 × RJ-45 (10/100 Base-T)
Alarm Input	7
Alarm Output	2
Alarm Event	No SD card; low SD card space; SD card error; network disconnection; IP conflict; motion detection; video tampering; intrusion; tripwire; audio detection; defocus on thermal channel
Audio Input	1
Audio Output	1
RS-485	1

Power

Power Supply	Wide input voltage 24–57 VDC	
Power Consumption	IR 150 m	Basic: 39 W (illuminator off, heater off) Max: 66 W (illuminator on, heater off); 89 W (illuminator on, heater on)
	Laser 800 m	Basic: 39 W (illuminator off, heater off) Max: 51 W (illuminator on, heater off); 74 W (illuminator on, heater on)

Environment

Operating Temperature	–40 °C to +70 °C (–40 °F to +158 °F)
Operating Humidity	≤95%
Storage Temperature	–40 °C to +70 °C (32 °F to +158 °F)

Physical Characteristics

Protection	IP66
Reliability	Surge protection: 6 kV Air discharge: 15 kV Contact discharge: 8 kV
Product Dimensions	520 mm × 266 mm × 427 mm (20.47" × 10.47" × 16.81") (L × W × H)
Packaging Dimensions	765 mm × 715 mm × 600 mm (30.12" × 28.15" × 23.62") (L × W × H)
Net Weight	≤22 kg (48.50 lb)
Gross Weight	≤44 kg (97.00 lb)
Installation	Desk mount
Power Adapter	Included
Lens	Included
PTZ Outlet	Side

Certification

Certifications	CE; FCC
----------------	---------

Heat Detection Distance

Focal Length	Max. Distance
50 mm	3,000 m (9,842.52 ft)
75 mm	4,500 m (14,763.78 ft)
100 mm	6,000 m (19,685.04 ft)

Note:

The table displays the measured distances obtained from using the target size 2 m × 2 m for testing in an environment where the temperature is 23 °C and the relative humidity is below 60%.

The table is for reference only. The distances within it are subject to actual conditions including atmospheric conditions, target size, the installation site, and more.

Perimeter Protection Distance

Focal Length	Distance (Human)	Distance (Vehicle)
50 mm	350 m (1,148.29 ft)	1,050 m (3,444.88 ft)
75 mm	525 m (1,722.44 ft)	1,575 m (5,167.32 ft)
100 mm	700 m (2,296.59 ft)	2,100 m (6,889.76 ft)

Note:

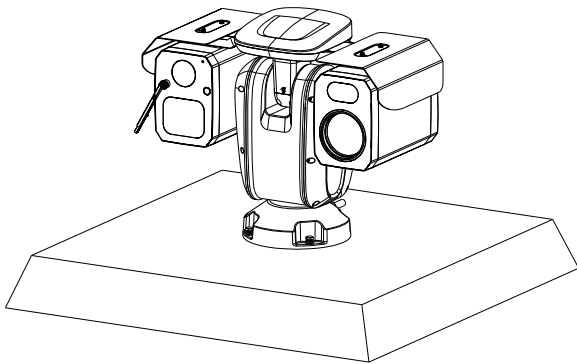
The table displays the measured distances obtained from using the target sizes 1.8 m × 0.5 m (human) and 1.4 m × 4 m (vehicle) for testing in an environment where the temperature is 23 °C and the relative humidity is below 60%.

The table is for reference only. The distances within it are subject to actual conditions including atmospheric conditions, target size, the installation site, and more.

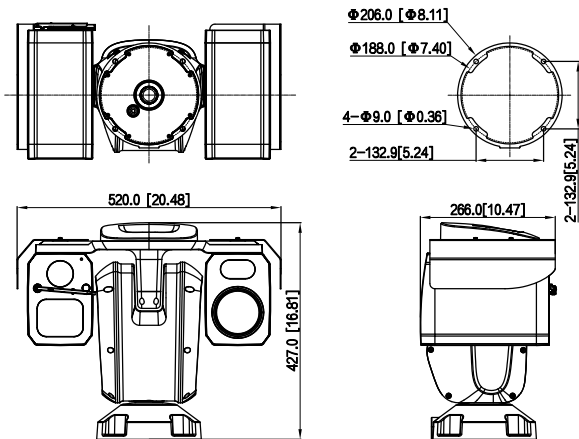
Ordering Information

Type	Model	Description
Security	DHI-TPC-PT8641D-B50Z56-DC-DC48-S23	Visible Focal Length: 6 mm–336 mm; Thermal Focal Length: 50 mm IR Illumination Distance: 150 m (492.13 ft)
	DHI-TPC-PT8641D-B75Z56-DC-DC48-S23	Visible Focal Length: 6 mm–336 mm; Thermal Focal Length: 75 mm IR Illumination Distance: 150 m (492.13 ft)
	DHI-TPC-PT8641D-B50Z56L-DC-DC48-S23	Visible Focal Length: 6 mm–336 mm; Thermal Focal Length: 50 mm; Laser Illumination Distance ≥800 m (2,624.67 ft)
	DHI-TPC-PT8641D-B75Z56L-DC-DC48-S23	Visible Focal Length: 6 mm–336 mm; Thermal Focal Length: 75 mm; Laser Illumination Distance ≥800 m (2,624.67 ft)
	DHI-TPC-PT8641D-BM100Z56L-DC-DC48-S23	Visible Focal Length: 6 mm–336 mm; Thermal Focal Length: 100 mm; Laser Illumination Distance ≥800 m (2,624.67 ft)
	DHI-TPC-PT8641D-BM100Z56LR-DC-DC48-S23	Visible Focal Length: 6 mm–336 mm; Thermal Focal Length: 100 mm; Laser Illumination Distance ≥800 m (2,624.67 ft); Laser Range Finder Distance ≥1500 m (4,921.26 ft)

Installation



Dimensions (mm[inch])



Rev 002.000 © 2024 Dahua. All rights reserved. Design and specifications are subject to change without notice. The images, specifications and information mentioned in the document are only for reference, and might differ from the actual product.