

DS-2CD1031-I 3.0 MP CMOS NetworkBullet Camera



Key Features

- 1/3" progressive scan CMOS
- Up to 3.0 megapixel
- 2.8mm/4mm/6mm fixed focal lens
- Up to 30 m IR range
- Dual stream
- Digital WDR (Wide Dynamic Range)
- 3D DNR (Digital Noise Reduction)
- PoE (Power over Ethernet)
- IP67
- Mobile monitoring via Hik-Connect or iVMS-4500



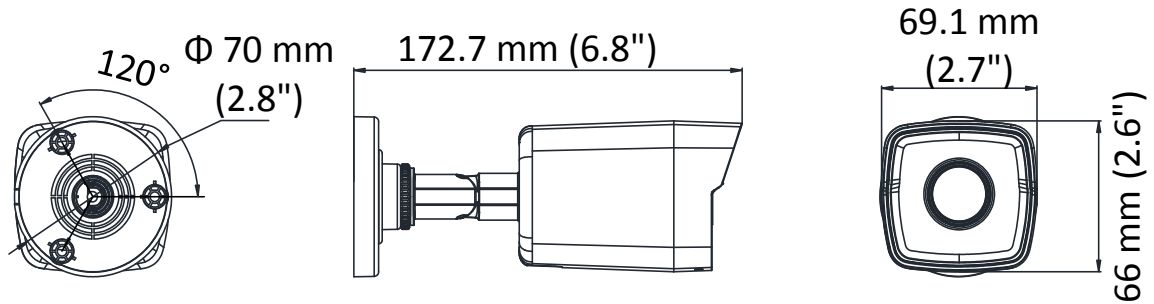
Specification

| Camera | |
|--------------------------------|---------------------------------------------------------------------------------------------------------------------------------------|
| Image Sensor | 1/3" progressive scan CMOS |
| Min. Illumination | Color: 0.01Lux @(F1.2,AGC ON),0 Lux with IR |
| Shutter Speed | 1/3s to 1/100,000 s, support slow shutter |
| Lens | 2.8 mm @F2.0, horizontal field of view 105.8°, 4 mm @F2.0, horizontal field of view 83.6° 6 mm @F2.0, horizontal field of view 55° |
| Lens Mount | M12 |
| Day &Night | IR cut filter with auto switch |
| 3-Axis Adjustment (Bracket) | Pan: 0° to 360°, tilt: -90°to 90°, rotation:0° to 360° |
| DNR(Digital Noise Reduction) | 3D DNR |
| WDR (Wide Dynamic Range) | Digital WDR |
| Compression Standard | |
| Video Compression | Main stream: H.264+/H.264 Sub stream: H.264/MJPEG |
| H.264 Type | Main profile/High profile |
| Video Bit Rate | 32 Kbps to16 Mbps |
| Image | |
| Max. Resolution | 2304 × 1296 |
| Main Stream Max. Frame Rate | 50Hz: 20fps@(2304 × 1296), 25fps@(1920 × 1080, 1280 × 720) 60Hz: 20fps@(2304 × 1296), 30fps@(1920 ×1080, 1280 × 720) |
| Sub-stream Max. Frame Rate | 50Hz: 25fps @(640 × 360, 352 × 288) 60Hz: 30fps @(640 × 360, 352 × 240) |
| Image Settings | Brightness, saturation, contrast, sharpness are adjustable via web browser or client software |
| Day/Night Switch | Support auto, scheduled |
| Others | Mirror, BLC (area configurable), region of interest (support 1 fixed region) |
| Network | |
| Network Storage | NAS (NFS,SMB/CIFS) |
| Detections | Motion Detection |
| Alarms | Video tampering, network disconnected, IP address conflicted |
| Protocols | TCP/IP,ICMP,HTTP,HTTPS,FTP,DHCP,DNS,DDNS,RTP,RTSP,RTCP, NTP,UPnP,SMTP,SNMP,IGMP,802.1X,QoS,IPv6,Bonjour |
| Standard | ONVIF(PROFILE S,PROFILE G),PSIA,CGI,ISAPI |
| General Function | Anti-flicker, heartbeat, mirror, password protection, privacy mask, watermark, IP address filter |
| Interface | |
| Communication Interface | 1 RJ45 10M/100M self-adaptive Ethernet port |
| General | |
| Operating Conditions | -30 °C to60 °C (-22 °F to140 °F), humidity: 95% or less (non-condensing) |
| Power Supply | 12VDC ± 25%, PoE (802.3af) |
| Power Consumption | Max. 5 W/6.5 W (PoE) |
| Ingress Protection | IP67 |
| IR Range | Up to 30 m |
| Dimensions | 69.1 mm ×66 mm × 172.7 mm (2.7"× 2.6"× 6.8") |
| Weight | 500 g (1.1 lb.) |

Available Models

DS-2CD1031-I

Dimension



Accessory



DS-1280ZI-XS
Junction Box

Distributed by



HIKVISION®

Headquarters

No.555 Qianmo Road, Binjiang District,
Hangzhou 310051, China
T +86-571-8807-5998
overseasbusiness@hikvision.com

Hikvision USA
T +1-909-895-0400
sales.usa@hikvision.com

Hikvision Italy
T +39-0438-6902
info.it@hikvision.com

Hikvision Singapore
T +65-6684-4718
sg@hikvision.com

Hikvision Africa
T +27 (10) 0351172
sale.africa@hikvision.com

Hikvision Europe
T +31-23-55-42-770
info.eu@hikvision.com

Hikvision France
T +33(0)1-85-330-450
info.fr@hikvision.com

Hikvision Oceania
T +61-2-8599-4233
salesau@hikvision.com

Hikvision Hong Kong
T +852-2151-1761

Hikvision Middle East
T +971-4-8816086
salesme@hikvision.com

Hikvision Spain
T +34-91-737-16-55
info.es@hikvision.com

Hikvision Canada
T +1-909-895-0400
sales.usa@hikvision.com

Hikvision Russia
T +7-495-669-67-99
saleru@hikvision.com

Hikvision Poland
T +48-22-460-01-50
poland@hikvision.com

Hikvision Korea
T +82-31-731-8841
sales.korea@hikvision.com

Hikvision India
T +91-22-28469900
sales@pramahikvision.com

Hikvision UK
T +01628-902140
support.uk@hikvision.com

Hikvision Brazil
T +55 11 3318-0050
Latam.support@hikvision.com