

HDCVI MotionEye Camera User's Manual

Version 1.0.0

Table of Contents

1	General Introduction	1
1.1	Overview	1
1.2	Features	1
2	Device Framework	2
3	Detection Range	4
4	Device Installation	5
5	Menu	7
5.1	HCVR Settings	7
5.2	PIR Local Settings	7
5.3	Menu Operation	8
	Appendix I Technical Parameters	11
	Appendix 2 Maintenance	12

Welcome

Thank you for purchasing our HDCVI MotionEye camera!

This user's manual is designed to be a reference tool for your system.

Please read the following safeguard and warnings carefully before you use this series product!

Please keep this user's manual well for future reference!

Important Safeguards and Warnings

1 . Electrical safety

- All installation and operation here should conform to your local electrical safety codes.
- The power shall conform to the requirement in the SELV (Safety Extra Low Voltage) and the Limited power source is rated DC 12V in the IEC60950-1. (Power supply requirement is subject to the device label).
- Please install easy-to-use device for power off before installing wiring, which is for emergent power off when necessary.
- Please check if the power supply meets the requirements of working voltage of the camera before operating the device (The material and length of the power supply cable will influence terminal voltage value).
- Please prevent the line cord from being trampled or pressed, especially the plug, power socket and the junction from the device.

2 . Environment

- Please don't aim the device at strong light (such as lighting, sunlight and so on) to focus.
- Please transport, use and store the device within the range of allowed humidity and temperature.
- Please do not allow water and other liquid falling into the camera in case that the internal components are damaged.
- Please keep the sound ventilation in case of heat accumulation.
- Heavy stress, violent vibration or water splash are not allowed during transportation, storage and installation.
- Please pack the device with standard factory packaging or material with same quality when transporting the device.
- It is recommended to use the device together with lightning protection device to enhance lightning protection effect.
- It is recommended to GND the device to enhance device reliability.
- It is advised to use qualified video transmission cable to improve video quality. It is recommended to use RG59 coaxial cable or higher standard.

Warning

- Please use the standard accessories provided by manufacturer and make sure the device is installed and fixed by professional engineers.
- Please prevent the device surface from the radiation of laser beam when using laser beam device.
- Please do not provide two or more power supply modes for the device, otherwise it may cause damage to the device.

Statement

- Please refer to the actual product for more details; the manual is just for reference.
- The manual will be regularly upgraded according to the product update; the upgraded content will be added in the manual without prior announcement.
- Please contact the customer service for the latest procedure and supplementary documentation.
- The company is not liable for any loss caused by the operation which is not followed by the manual.
- Please refer to the company's final explanation if there is any doubt or dispute.

1 General Introduction

1.1 Overview

This series HDCVI camera conforms to the HDCVI standard. It supports video signal high-speed, long distance transmission without any delay. It can be controlled by the HCVR conforming to the HDCVI.

1.2 Features

- Adopts high performance CMOS image sensor, megapixel definition.
- Supports coaxial transmission of HD video and control signal.
- For 720P series, supports 75-3 coaxial cable transmission without any loss. The distance is over 500m. For 1080P, 4M series, supports 75-3 coaxial cable transmission without any loss. The distance is over 300m.
- High speed, long distance real-time transmission.
- Supports OSD menu adjusting parameters.
- Supports DC 12V power supply.
- Adopts quaternionic digital sensor, efficiently improve detection accuracy.
- Digital temperature compensation technology, adapt to environmental change.
- Detection distance: 10m, detection angle: 110° .
- Supports IP67 compliance.
- Bracket included by default, supports wall-mount installation mode.

2 Device Framework

Please see Figure 2-1 for the dimensions. The unit is mm (inch).

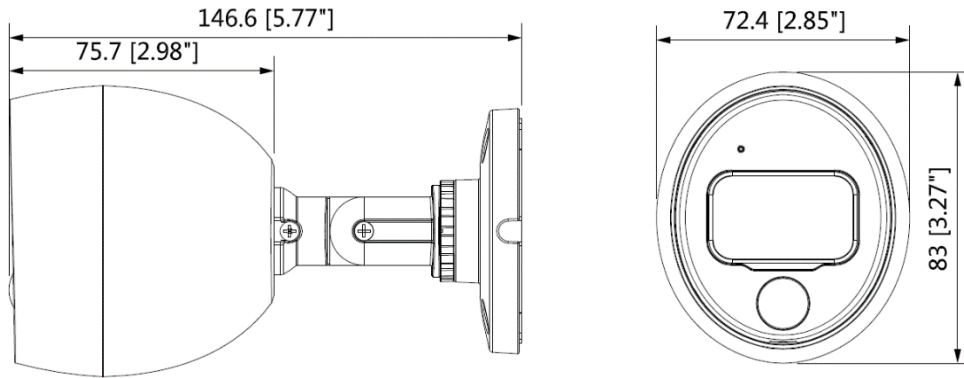


Figure 2-1

Please refer to Figure 2-2 for the front view of the device.

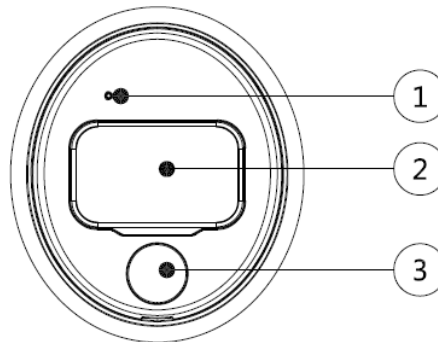


Figure 2-2

Please refer to Table 2-1 for more details.

SN	Name
1	Alarm indicator light
2	Lens
3	PIR lens

Table 2-1

Please refer to Figure 2-3 for the power input port.

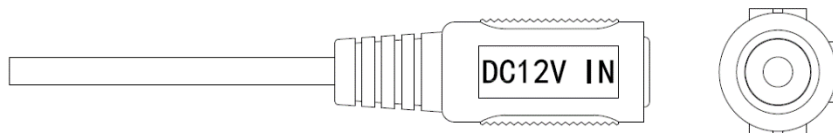


Figure 2-3

Please refer to Figure 2-4 for the video output port.

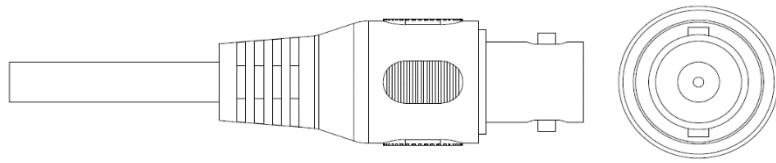


Figure 2-4

3 Detection Range

The horizontal sensing range of the detector is shown in Figure 3-1, the horizontal sensing angle is 110° .

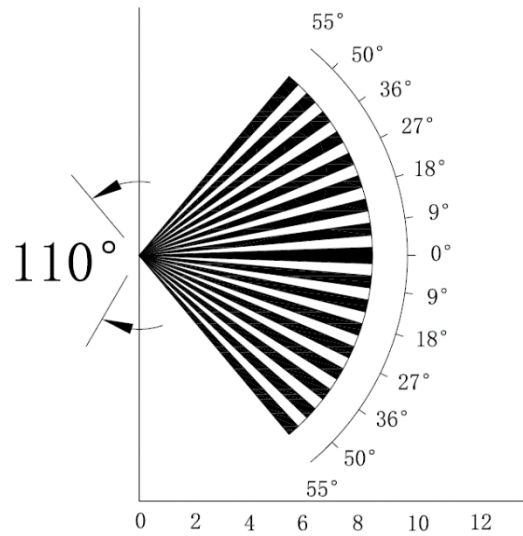


Figure 3-1

The vertical sensing distance of the detector is shown in Figure 3-2, the sensing far distance is 10m while the close distance is 2m. The bracket supports 3-axis adjustment.

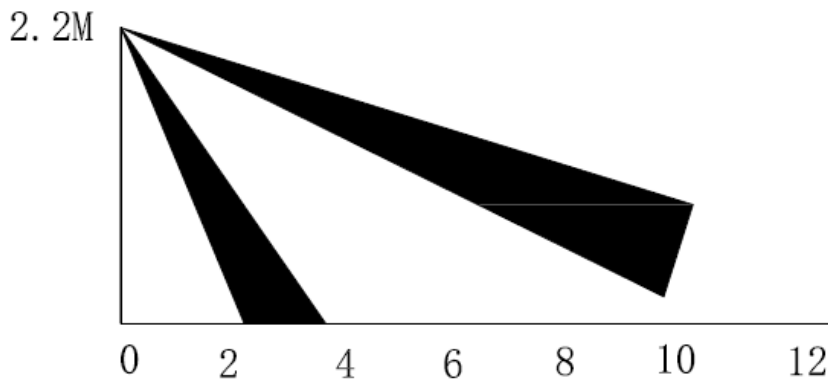


Figure 3-2

Note:

The detector angle can be adjusted according to the practical application scenario.

4 Device Installation

Caution

- The installation ceiling or wall shall be thick enough to sustain at least 3X weight of the camera.
- Please do not remove the electrostatic adsorption film on the surface of transparent cover before installation and debugging are completed, which is to avoid damage during installation;
- The following installation figure is for reference only.

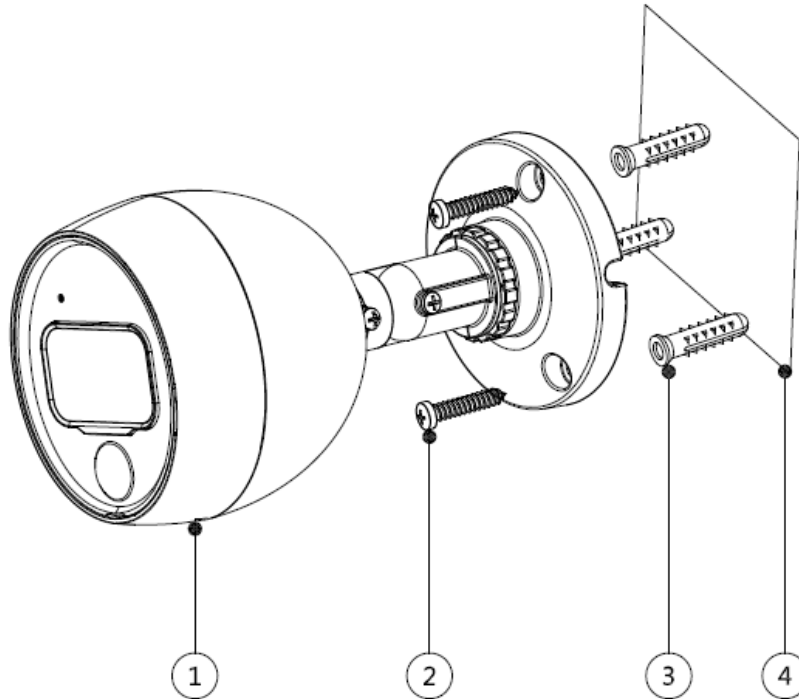


Figure 4-1

SN	Name
1	Camera Body
2	Self-tapping Screw
3	Expansion Bolt
4	Installation Surface

Table 4-1

Step 1

Install camera bracket.

- If it is cement wall, first it needs to install expansion bolt ③ (mounting hole sites of expansion bolt need to be in accordance with those of the bracket), and then install bracket, which is shown in Figure 4-1.
- If it is wooden wall, you can skip the first step, use self-tapping screw ② to install bracket directly.

Step 2

Install device ①. Use the mounting pedestal of the camera bottom and use screw to install the device on the bracket.

Step 3

Adjust the camera to a proper monitoring location, and then tighten the rotating button on the bracket to fix the camera.

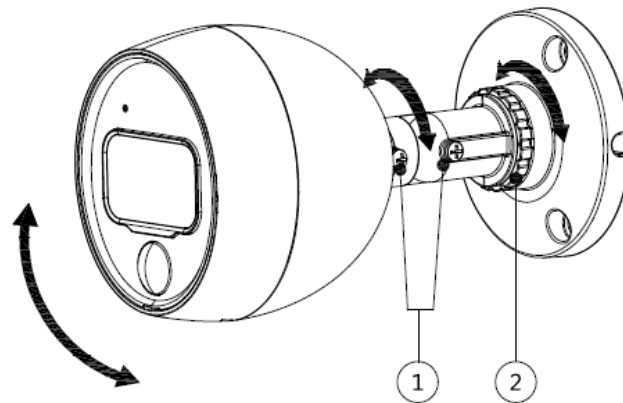


Figure 4-2

SN	Name
1	Bracket Adjusting Screw
2	Bracket Adjusting Ring

Table 4-2

Step 4

Connect the device video output port to the back-end HCVR device and connect the power port to power.

So far the device installation and cable connection have been completed, you can check monitoring image via back-end coding device.

5 Menu

5.1 HCVR Settings

This HDCVI camera series can adjust OSD menu via coaxial control. After connected the camera to the HDCVI series HCVR, from Main Menu->Setting->System->PTZ, you need to select the channel number for access and set control mode as HDCVI and the protocol as HD-CVI. Click "Save" button to save current setup. See Figure 5-1.

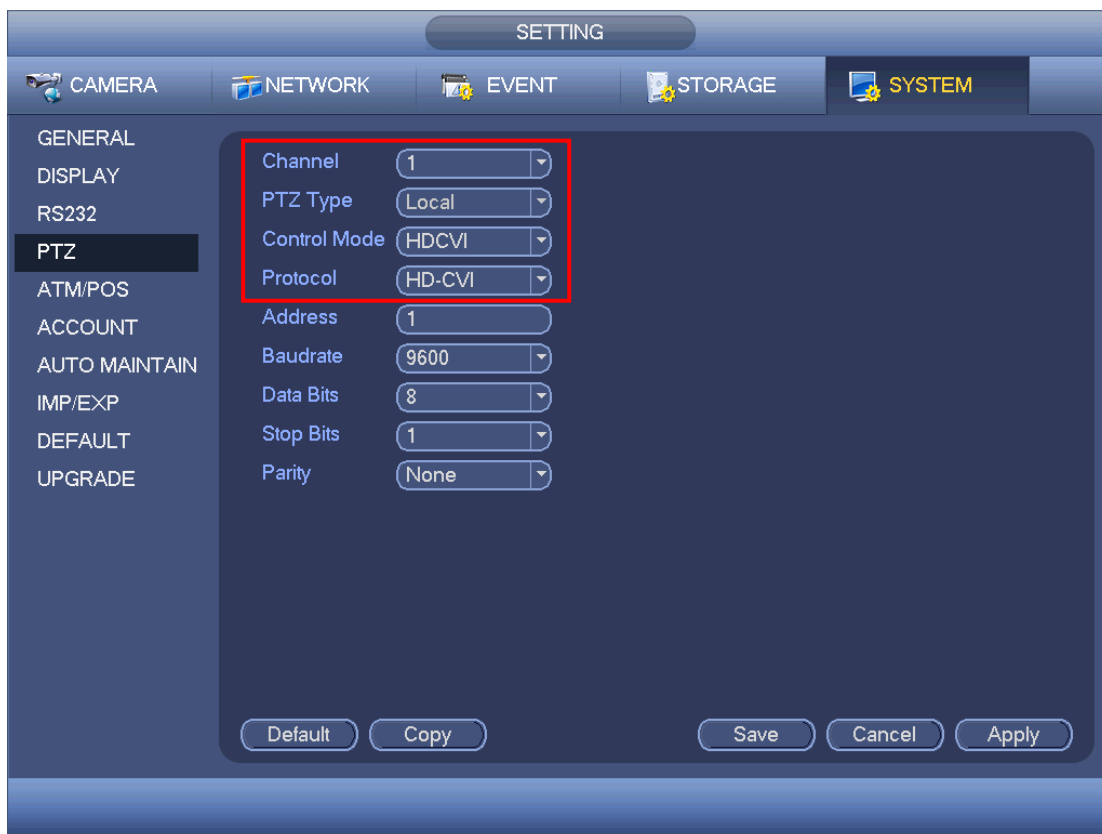


Figure 5-1

5.2 PIR Local Settings

After the camera is connected to HCVR, you can make settings in "Main Menu > Setting > Event" of the HCVR, here you can disable the PIR enable switch. Click "Save" after setting is done.

"PIR Enable" is enabled by default when the front end is connected to PIR camera, and "Motion Detection" is enabled forcedly.

- It can generate alarm when both PIR and motion detection are trigger simultaneously (Motion detection alarm has to be generated when PIR alarm is generated).
- It will be general motion detection function if PIR enable is cancelled.
- It will detect if the front-end device supports PIR function and the format is changed when it is connected to video source again.
- The config stays the same if there is no change to the video source.
- It needs to log in HCVR again if the front-end video source is changed, and then enter the motion detection interface to set PIR function.



Figure 5-2

5.3 Menu Operation

Click the right mouse button and select “PTZ Control”, then you will see the “PTZ Setup” menu, which is as shown in Figure 5-3 and Figure 5-4.



Figure 5-3



Figure 5-4

See Table 5-1 for the details of button functions.







Button	Function
 + 	Open menu
 , 	Select menu item
 , 	Select menu value

Table 5-1

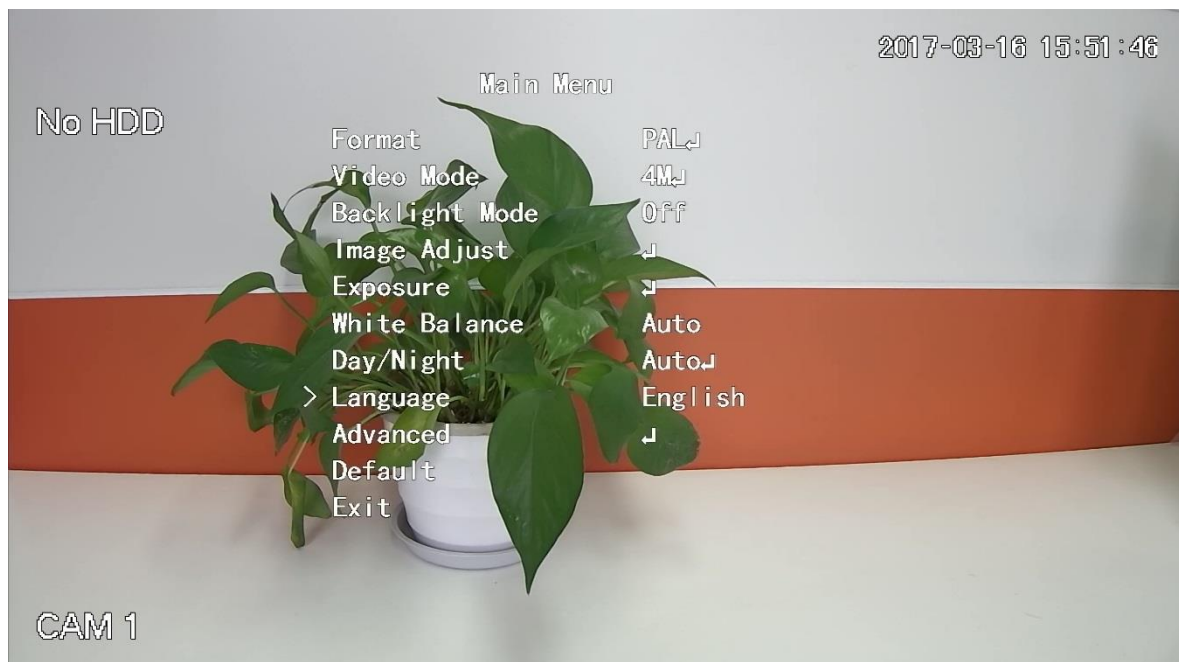


Figure 5-5

If there is “↵” in the parameter value, click the “Enter” button in “Menu Operation” interface to go to the 2nd menu. Click “Return” button to go back to the previous menu interface.

Note

- The operation interface above is an example of HCVRHG-AF series, different back-end devices have different operation interface, please refer to corresponding HCVR manual for more details.
- Menus are different according to different products, please refer to actual device for exact menu.

Appendix I Technical Parameters

Parameter	Note
Detection Method	Quaternionic PIR
Detection Range	10m, 110°, 5 areas
Alarm Indication	Red LED
Pet immunity	≤18kg
Installation Height	2.2m~2.5 m
Installation Mode	Wall-mounted
Dimension	146.6×72.4×83mm (length×width×height)
Weight	0.23kg
Camera Operating Temperature	-40°C~60°C
PIR Recommended Operating Temperature	-10°C~50°C
Operating Humidity	< 95%

Appendix 2 Maintenance

Attention

Please maintain the device according to the following instructions in order to ensure the image effect and long-term stable operation of the device.

Maintenance for lens and mirror surface

The lens and mirror surface are covered with antireflection coating, so it may produce hazardous substance and lead to performance reduction or scratch, dimness etc. Please don't touch sensor CCD (or CMOS) directly, you can use hair dryer to remove dust or dirt on the lens surface. Please use dry cloth slightly soaked with alcohol to get rid of dust and dirt gently if it is necessary to be cleaned.

Camera Body Maintenance

Use a soft dry cloth to clean the camera body when it is dirty, in case the dirt is hard to remove, use a clean dry cloth soaked with mild detergent and wipe gently, make it dry later. Don't use volatile solvent like alcohol, benzene, thinner and etc. or strong detergent with abrasiveness, otherwise it will damage the surface coating or reduce the working performance of the device.

Note

- **This manual is for reference only. Slight difference may be found in the user interface.**
- **All the designs and software here are subject to change without prior written notice.**
- **All trademarks and registered trademarks mentioned are the properties of their respective owners.**
- **If there is any uncertainty or controversy, please refer to the final explanation of us.**
- **Please visit our website or contact your local service engineer for more information.**