

DS-2CE16C2T-IT5



Key Features

- 1.3 Megapixel high-performance CMOS
- Analog HD output, up to 720P resolution
- True Day/Night
- DNR, Smart IR
- EXIR technology, up to 80m IR distance
- IP66 weatherproof

Specification

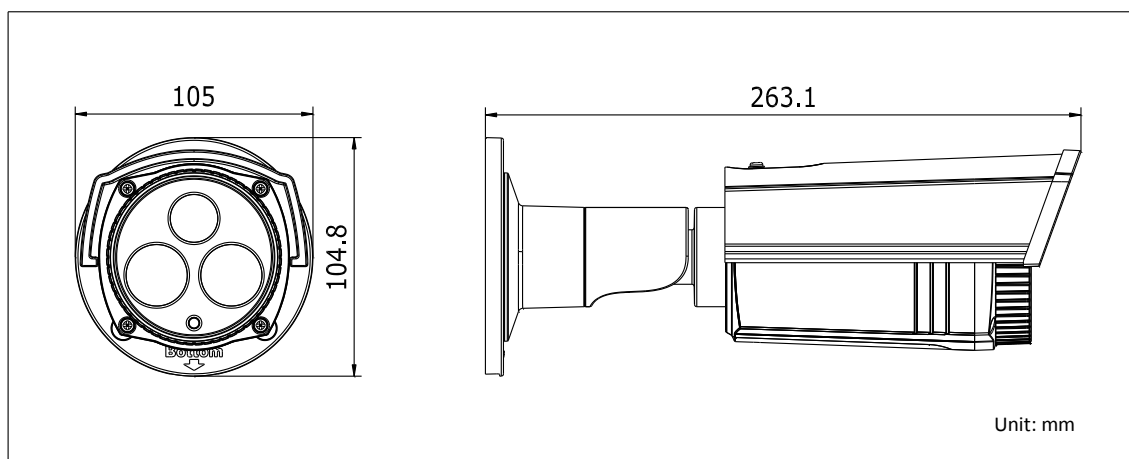
Model	DS-2CE16C2T-IT5
Parameter	Turbo HD720p EXIR Bullet Camera
Camera	
Image Sensor	1.3MP CMOS Image Sensor
Effective Pixels	1280(H)*960(V)
Min. Illumination	0.01 Lux @(F1.2,AGC ON), 0 Lux with IR
Shutter Time	1/25(1/30) s to 1/50,000 s
Lens	3.6mm (6mm, 8mm, 12mm, 16mm optional)
	Angle of View: 78°(3.6mm), 51.2°(6mm), 36°(8mm), 23°(12mm), 17.9°(16mm)
Lens Mount	M12
Day & Night	ICR
Angle Adjustment	Pan: 0 - 360°, Tilt: 0 - 90°, Rotation: 0 - 360°
Synchronization	Internal synchronization
Video Frame Rate	720p@25fps/720p@30fps
HD Video Output	1 Analog HD output
S/N Ratio	> 62dB
General	
Working Temperature/Humidity	-40 °C - 60 °C (-40 °F - 140 °F) Humidity 90% or less (non-condensing)

Power Supply	12V DC \pm 15%
Power Consumption	Max. 4W
Weather Proof Ratings	IP66
IR Range	Up to 80m
Dimensions	105×104.8×263.1mm(4.13" ×4.13" ×10.36")
Weight	800 g (1.76 lbs)

Order Model

DS-2CE16C2T-IT5

Dimensions



Accessories



DS-1275ZJ
Vertical Pole Mounting



DS-1260ZJ
Junction box



DS-1280ZJ-S
Junction box



DS-1H18
Video Balun



DS-TT-X41T
TVI Tester