



Dahua HD Dual Lens Dash Network Camera Quick Start Guide

Dahua HD Dual Lens Dash Network Camera

Quick Start Guide

Version 1.0.0

ZHEJIANG DAHUA VISION TECHNOLOGY CO., LTD.



Welcome

Thank you for purchasing our Network camera!

This user's manual is designed to be a reference tool for your system.

Please read the following safeguard and warnings carefully before you use this series product!

Please keep this user's manual well for future reference!

Important Safeguards and Warnings

1 . Electrical safety

- All installation and operation here should conform to your local electrical safety codes.
- Please check if the power supply is correct before operating the device.
- The power shall conform to the requirement in the SELV (Safety Extra Low Voltage) and the Limited power source is rated DC 12V or AC 24V in the IEC60950-1. (Power supply requirement is subject to the device label).
- Please install easy-to-use device for power off before installing wiring, which is for emergent power off when necessary.
- Please prevent the line cord from being trampled or pressed, especially the plug, power socket and the junction from the device.
- Do not connect these two power supplying sources to the device at the same time; it may result in device damage!
- We assume no liability or responsibility for all the fires or electrical shock caused by improper handling or installation.
- We are not liable for any problems caused by unauthorized modification or attempted repair.

2 . Environment

- Please don't aim the device at strong light (such as lighting, sunlight and so on) to focus; otherwise it may cause overexposure (It is not the device malfunction), which will affect the longevity of CCD or CMOS.
- Please transport, use and store the device within the range of allowed humidity and temperature.
- Please don't keep the device in a place which is wet, dusty, extremely hot, and extremely cold and with strong electromagnetic radiation or unstable lighting.
- Please do not allow water and other liquid falling into the camera in case that the internal components are damaged.
- Please do not allow rain or damp to the indoor device in case fire or lightning may occur.
- Please keep the sound ventilation in case of heat accumulation.
- Please pack the device with standard factory packaging or material with same quality when transporting the device.
- Heavy stress, violent vibration or water splash are not allowed during transportation, storage and installation.



3. Operation and Daily Maintenance

- Please do not touch the heat dissipation component of the device directly in order to avoid scald.
- Please do not dismantle the device; there is no component which can be fixed by users themselves in the machine. It may cause water leakage or bad image for the device due to unprofessional dismantling. Please contact after-sale service to replace desiccant if it becomes green.
- It is recommended to use the device with thunder proof device in order to improve thunder proof effect.
- The grounding holes of the product are recommended to be grounded to further enhance the reliability of the camera.
- Do not touch the CCD (CMOS) optic component directly. You can use the blower to clean the dust or dirt on the lens surface. Please use a dry cloth wetted by alcohol to wipe away the dust gently if it is necessary to clean.
- Always use the dry soft cloth to clean the device. If there is too much dust, please use the water to dilute the mild detergent first and then use it to clean the device. Finally use the dry cloth to clean the device. Don't use volatile solvent like alcohol, benzene, thinner and etc or strong detergent with abrasiveness, otherwise it will damage the surface coating or reduce the working performance of the device.
- Dome cover is an optical device, please don't touch or wipe cover surface directly during installation and use, please refer to the following methods to deal with once dirt is found:
 - Stained with dirt
 - Use oil-free soft brush or hair dries to remove it gently.
 - Stained with grease or fingerprint
 - Use soft cloth to wipe the water drop or oil gently to make it dry, then use oil-free cotton cloth or paper soaked with alcohol or detergent to wipe from the lens center to outward. It is ok to change the cloth and wipe several times if it is not clean enough.

Warning

- Please modify the default password after login in order to avoid being stolen.
- Please use the standard accessories provided by manufacturer and make sure the device is installed and fixed by professional engineers.
- Please prevent the device surface from the radiation of laser beam when using laser beam device.
- Please do not provide two or more power supply modes for the device, otherwise it may cause damage to the device.

Statement

- Please refer to the actual product for more details; the manual is just for reference.
- The manual will be regularly upgraded according to the product update; the upgraded content will be added in the manual without prior announcement.
- Please contact the supplier or customer service if there is any problem occurred when using the device.
- Please contact the customer service for the latest procedure and supplementary documentation.



- There may be deviation between the actual value of some data and the value provided in the manual due to the reasons such as the real environment is not stable and so on. Please refer to the company's final explanation if there is any doubt or dispute.
- The company is not liable for any loss caused by the operation which is not followed by the manual.

FCC Information

1. FCC conditions:

This device complies with part 15 of the FCC Rules. Operation is subject to the following two conditions:

- This device may not cause harmful interference;
- This device must accept any interference received, including interference that may cause undesired operation.

2. FCC compliance:

This equipment has been tested and found to comply with the limits for a digital device, pursuant to part 15 of the FCC Rules. These limits are designed to provide reasonable protection against harmful interference. This equipment generates uses and can radiate radio frequency energy and, if not installed and used in accordance with the instruction manual, may cause harmful interference to radio communication. However, there is no guarantee that interference will not occur in a particular installation. If this equipment does cause harmful interference to radio or television reception, which can be determined by turning the equipment off and on, the user is encouraged to try to correct the interference by one or more of the following measures:

- Reorient or relocate the receiving antenna.
- Increase the separation between the equipment and receiver.
- Connect the equipment into an outlet on a circuit different from that to which the receiver is connected.
- Consult the dealer or an experienced radio/TV technician for help.

Note

Please refer to the disk for more details, check and download corresponding user's manual and tool.

Before installation, please open the package and check all the components are included.

Contact your local retailer ASAP if something is broken in your package.

| Accessory Name | Amount |
|-------------------|--------|
| Network Camera | 1 |
| Quick Start Guide | 1 |
| Foam (EPE) | 1 |
| CD | 1 |



Table of Contents

| | | |
|-----|---------------------------------|----|
| 1 | Device Structure..... | 5 |
| 1.1 | Device Port..... | 5 |
| 1.2 | Dimension..... | 6 |
| 2 | Device Installation..... | 7 |
| 2.1 | Install SD Card (Optional)..... | 7 |
| 2.2 | Fix Device..... | 7 |
| 2.3 | Adjust Device Angle..... | 8 |
| 3 | Network Configuration..... | 10 |
| 3.1 | Device Initialization..... | 10 |
| 3.2 | Modify IP Address..... | 11 |
| 3.3 | Login WEB Interface..... | 12 |

1 Device Structure

1.1 Device Port

Note

The following structure figure is for reference only. It is only used to know the functions of cable ports.

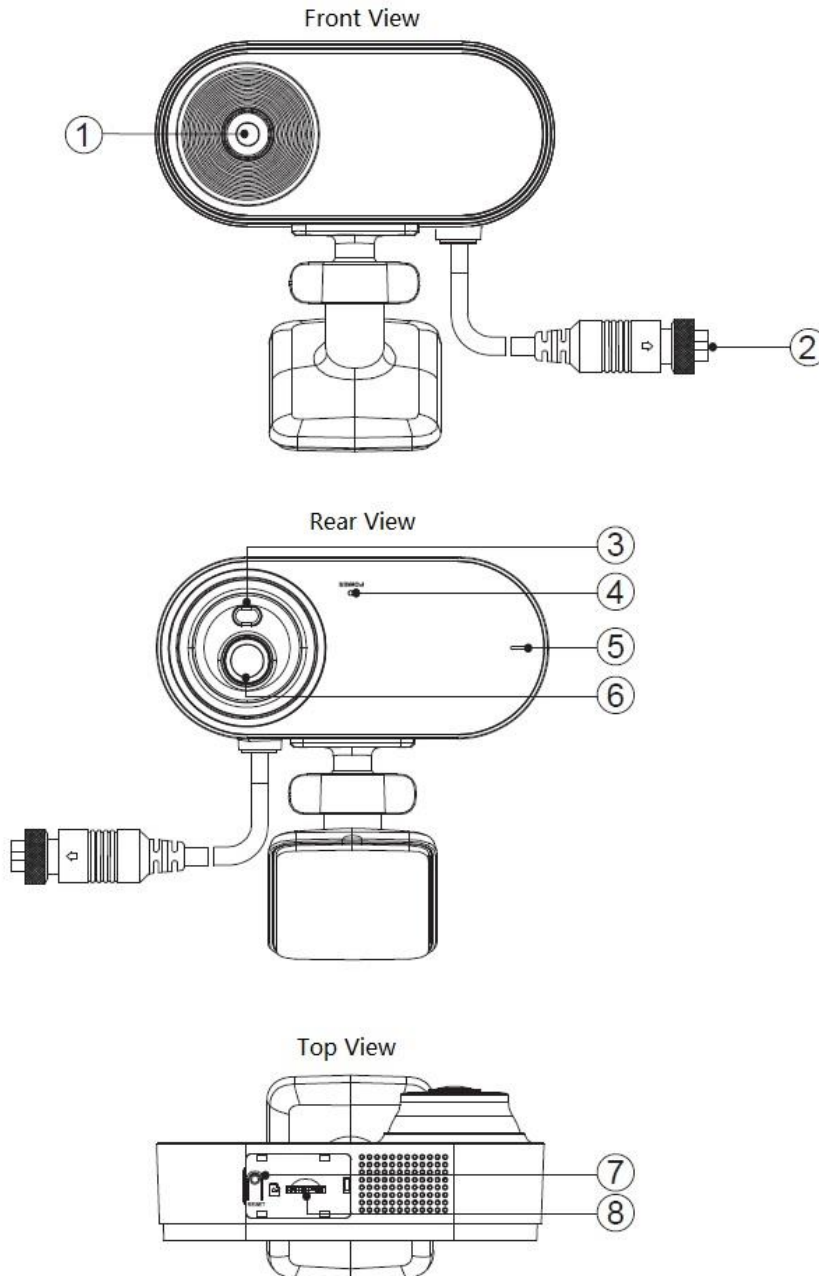


Figure 1-1

Please refer to Table 1-1 for more details about device structural components.

| SN | Component Name | Function Description |
|----|-----------------------|---|
| 1 | Viewing lens | It is to monitor the road |
| 2 | M12 aviation port | It is used to transmit network data and supply power. |
| 3 | Compensation light | It provides light compensation when the light condition is not good inside the vehicle. |
| 4 | Power indicator light | Green light normally on: device operates normally. Green light flashes: device upgrade. Red light on: device begins to boot up. |
| 5 | Microphone | It is used to pick up sound. |
| 6 | In-vehicle lens | It is to monitor the vehicle internally, the in-vehicle lens supports to adjust monitoring angle. |
| 7 | RESET | It is to restore device factory default settings. Press the reset button continuously for 10 seconds when the device operates normally, the system config info will be restored to factory default settings. |
| 8 | SD card slot | It is to install SD card to realize local storage. |

批注 [A1]:

Table 1-1

1.2 Dimension

Note

The following dimension figure is for reference only, which is to know the device dimension.

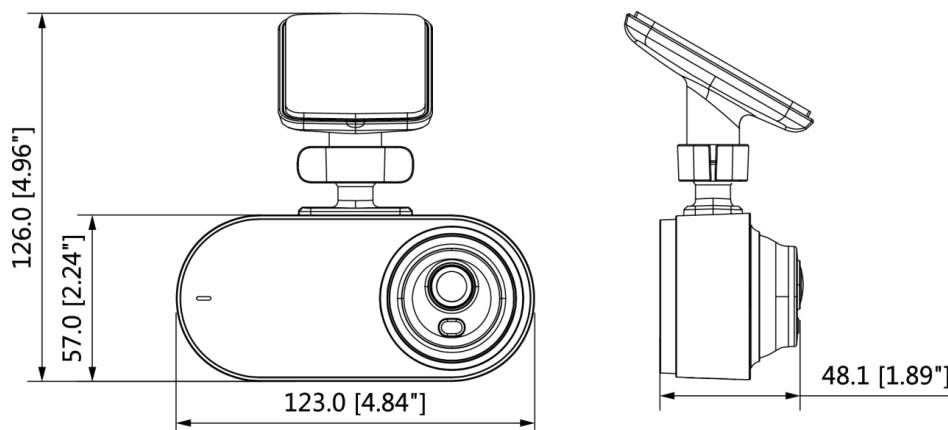


Figure 1-2

2 Device Installation

2.1 Install SD Card (Optional)

Note

- Please cut off the device power before you install or take out the SD card.
- Please install SD card when the device is equipped with SD card slot and it needs to use SD card.

Step 1

Open the cover on the device top.

You can see the SD card slot and reset button, please refer to Table 1-1 for the reset button operation.

Step 2

Insert the SD card into the slot which is shown in Figure 2-1, the card slot is elastic, so you only need to press the card slightly to insert it.

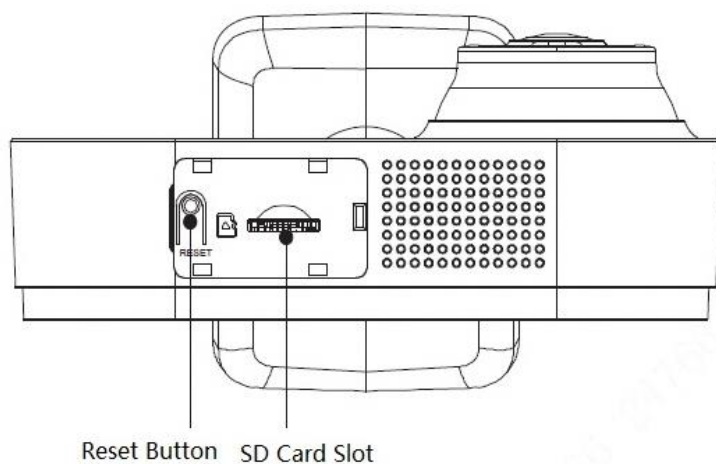


Figure 2-1

Step 3

Install the cover back to place after SD card is installed.

2.2 Fix Device

Note

- The installation figure is for reference only; please refer to the actual device for more details.
- The device mounting surface needs to sustain at least 3X weight of the camera.

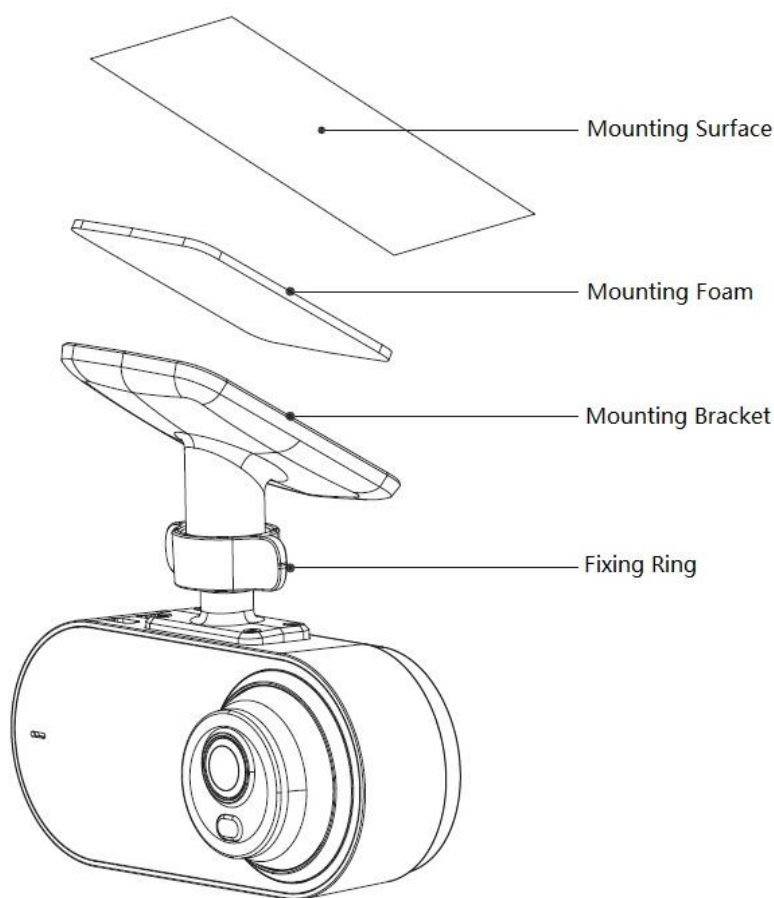


Figure 2-2

Step 1

Tear off the membrane on one side of the mounting foam and then stick it on the surface of the mounting bracket.

Step 2

Tear off the membrane on the other side of the mounting foam and fix the device on the needed location.

Step 3

Adjust the device angle according to requirements after installation is completed.

2.3 Adjust Device Angle

Step 1

Loosen the fixing ring clockwise, there is cable inside the bracket, so it is unnecessary to totally loosen the fixing ring.

Step 2

Adjust the in-vehicle lens according to the monitoring range, the lens adjustment direction is shown in Figure 2-3.

Step 3

Tighten the fixing ring firmly anticlockwise.

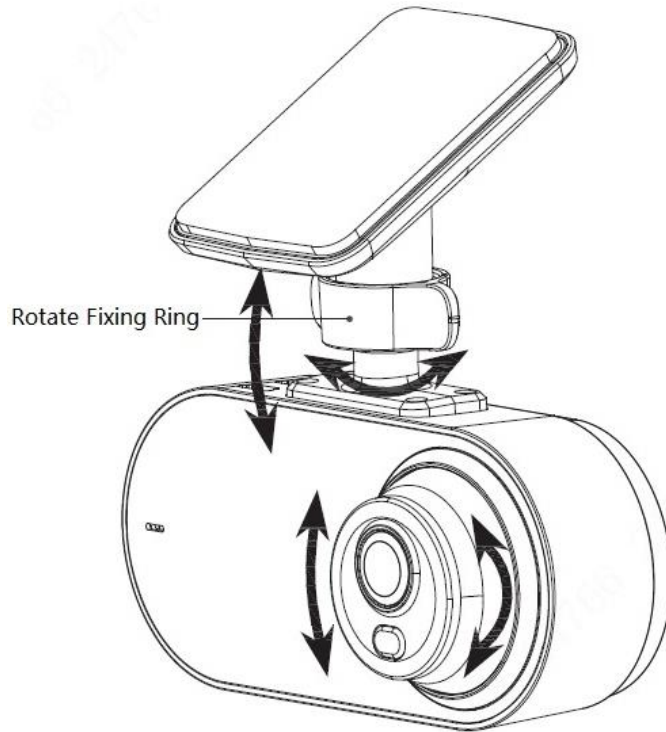


Figure 2-3

3 Network Configuration

You can initialize the device and modify IP address via "Quick Configuration Tool"; you can also initialize device and modify IP address on the WEB interface. Please refer to the *WEB Operation Manual* in the disk for more details.

Note


- It needs to implement initialization if it is the first time use device or the device is restored to factory default. Only some device support initialization function.
- It can implement initialization only when the device IP address (192.168.1.108 by default) and the IP address of PC are in the same network segment.
- In order to make the camera have access to network smoothly, please plan available IP segment according to the actual network environment.
- The following figures are for reference only; different models may have different interfaces.

3.1 Device Initialization

Step 1

Double click "ConfigTool.exe" and open quick config tool.

Step 2

Click  to enter the interface where you can modify IP address, click **Search Setting**, the system will display the **Setting** dialog box.

Step 3

Set the device network segment, login user name and password, and then click **OK**. The system will display the searched devices after searching completes.

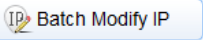
Step 4

Select the devices which need initialization and click **Initialization**. The system will display the interface of **Device Initialization**, which is shown in Figure 3-1.



Set the device network segment, login user name and password, and then click **OK**. The system will display the searched devices after searching completes.

Step 4

Select the devices whose IP addresses need to be modified, and then click  .

The system will display the dialog box of Modify IP Address, which is shown in Figure 3-2.

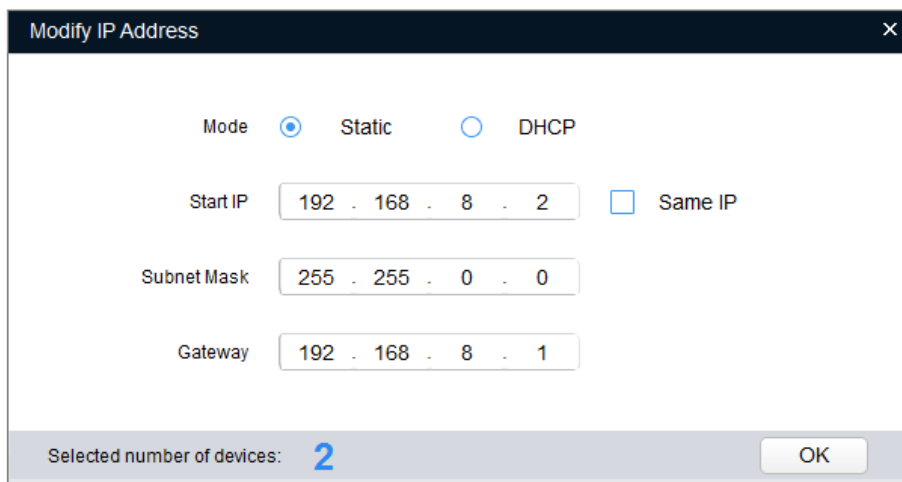


Figure 3-2

Step 5

Set the mode as **Static**, and enter the planned start IP, subnet mask and gateway.

Note

Set the mode as **DHCP** when there is DHCP server in the network, the device will automatically acquire IP address from the DHCP server.

Step 6

Click **OK** to complete modification of device IP address.

3.3 Login WEB Interface

Step 1

Open IE browser, enter the modified camera IP address into the address bar and then press **Enter** button. Please operate according to the interface prompt if the interface displays guide of **Software License Agreement** and **Online Upgrade**.

Step 2

Enter username and password, click **Login**.

Step 3

For the first login, click **Click Here to Download Plug-in**, install controls according to system prompt. The main interface will be shown in Figure 3-3 after control installation is completed.

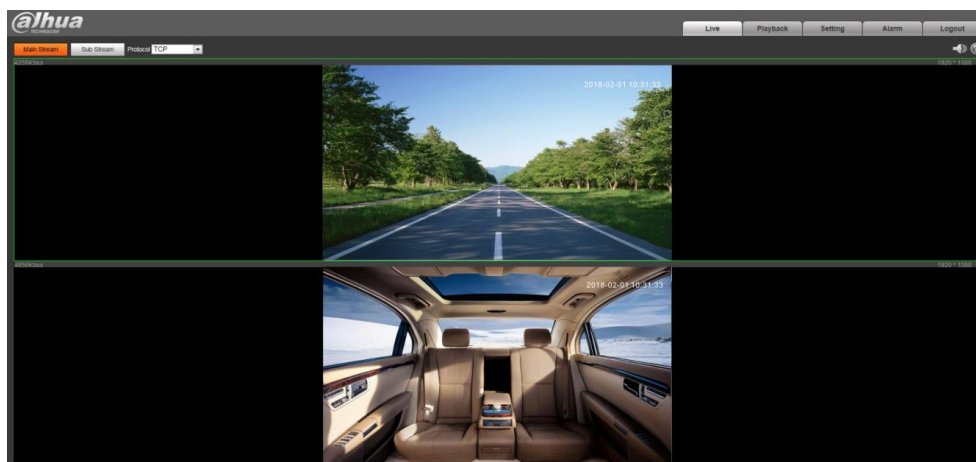


Figure 3-3



Zhejiang Dahua Vision Technology Co., Ltd

Address: No.1199 Bin'an Road, Binjiang District, Hangzhou, PRC.

Postcode: 310053

Tel: +86-571-87688883

Fax: +86-571-87688815

Email:overseas@dahuatech.com

Website: www.dahuasecurity.com