



# **Network Traffic Speed Dome**

## **Quick Start Guide**

## **Quick Start Guide**

COPYRIGHT ©2018 Hangzhou Hikvision Digital Technology Co., Ltd.

### **ALL RIGHTS RESERVED.**

Any and all information, including, among others, wordings, pictures, graphs are the properties of Hangzhou Hikvision Digital Technology Co., Ltd. or its subsidiaries (hereinafter referred to be “Hikvision”). This user manual (hereinafter referred to be “the Manual”) cannot be reproduced, changed, translated, or distributed, partially or wholly, by any means, without the prior written permission of Hikvision. Unless otherwise stipulated, Hikvision does not make any warranties, guarantees or representations, express or implied, regarding to the Manual.

### **About this Manual**

The Manual is applicable to Network Traffic Speed Dome.

The Manual includes instructions for using and managing the product. Pictures, charts, images and all other information hereinafter are for description and explanation only. The information contained in the Manual is subject to change, without notice, due to firmware updates or other reasons. Please find the latest version in the company website (<http://overseas.hikvision.com/en/>).

Please use this Manual under the guidance of professionals.

### **Trademarks Acknowledgement**

**HIKVISION** and other Hikvision’s trademarks and logos are the properties of Hikvision in various jurisdictions. Other trademarks and logos mentioned below are the properties of their respective owners.

### **Legal Disclaimer**

TO THE MAXIMUM EXTENT PERMITTED BY APPLICABLE LAW, THE PRODUCT DESCRIBED, WITH ITS HARDWARE, SOFTWARE AND FIRMWARE, IS PROVIDED “AS IS”, WITH ALL FAULTS AND ERRORS, AND HIKVISION MAKES NO WARRANTIES, EXPRESS OR IMPLIED, INCLUDING WITHOUT LIMITATION, MERCHANTABILITY, SATISFACTORY QUALITY, FITNESS FOR A PARTICULAR PURPOSE, AND NON-INFRINGEMENT OF THIRD PARTY. IN NO EVENT WILL HIKVISION, ITS DIRECTORS, OFFICERS, EMPLOYEES, OR AGENTS BE LIABLE TO YOU FOR ANY SPECIAL, CONSEQUENTIAL, INCIDENTAL, OR INDIRECT DAMAGES, INCLUDING, AMONG OTHERS, DAMAGES FOR LOSS OF BUSINESS PROFITS, BUSINESS INTERRUPTION, OR LOSS OF DATA OR DOCUMENTATION, IN CONNECTION WITH THE USE OF THIS PRODUCT, EVEN IF HIKVISION HAS BEEN ADVISED OF THE POSSIBILITY OF SUCH DAMAGES.

REGARDING TO THE PRODUCT WITH INTERNET ACCESS, THE USE OF PRODUCT SHALL BE WHOLLY AT YOUR OWN RISKS. HIKVISION SHALL NOT TAKE ANY RESPONSIBILITIES FOR ABNORMAL OPERATION, PRIVACY LEAKAGE OR OTHER DAMAGES RESULTING FROM CYBER ATTACK, HACKER ATTACK, VIRUS INSPECTION, OR OTHER INTERNET SECURITY RISKS; HOWEVER, HIKVISION WILL PROVIDE TIMELY TECHNICAL SUPPORT IF REQUIRED.

SURVEILLANCE LAWS VARY BY JURISDICTION. PLEASE CHECK ALL RELEVANT LAWS IN YOUR JURISDICTION BEFORE USING THIS PRODUCT IN ORDER TO ENSURE THAT YOUR USE CONFORMS THE APPLICABLE LAW. HIKVISION SHALL NOT BE LIABLE IN THE EVENT THAT THIS PRODUCT IS USED WITH ILLEGITIMATE PURPOSES.

IN THE EVENT OF ANY CONFLICTS BETWEEN THIS MANUAL AND THE APPLICABLE LAW, THE LATER PREVAILS.

## Regulatory Information

### FCC Information

Please take attention that changes or modification not expressly approved by the party responsible for compliance could void the user's authority to operate the equipment.

**FCC compliance:** This equipment has been tested and found to comply with the limits for a Class A digital device, pursuant to part 15 of the FCC Rules. These limits are designed to provide reasonable protection against harmful interference when the equipment is operated in a commercial environment. This equipment generates, uses, and can radiate radio frequency energy and, if not installed and used in accordance with the instruction manual, may cause harmful interference to radio communications. Operation of this equipment in a residential area is likely to cause harmful interference in which case the user will be required to correct the interference at his own expense.

### FCC Conditions

This device complies with part 15 of the FCC Rules. Operation is subject to the following two conditions:

1. This device may not cause harmful interference.
2. This device must accept any interference received, including interference that may cause undesired operation.

### EU Conformity Statement



This product and - if applicable - the supplied accessories too are marked with "CE" and comply therefore with the applicable harmonized European standards listed under the EMC Directive 2014/30/EU, the RoHS Directive

2011/65/EU.



2012/19/EU (WEEE directive): Products marked with this symbol cannot be disposed of as unsorted municipal waste in the European Union. For proper recycling, return this product to your local supplier upon the purchase of equivalent new equipment, or dispose of it at designated collection points.

For more information see: [www.recyclethis.info](http://www.recyclethis.info).



2006/66/EC (battery directive): This product contains a battery that cannot be disposed of as unsorted municipal waste in the European Union. See the product documentation for specific battery information. The battery is marked with this symbol, which may include lettering to indicate cadmium (Cd), lead (Pb), or mercury (Hg). For proper recycling, return the battery to your supplier or to a designated collection point. For more information see: [www.recyclethis.info](http://www.recyclethis.info).

### Industry Canada ICES-003 Compliance

This device meets the CAN ICES-3 (A)/NMB-3(A) standards requirements.

### Warning:

This is a class A product. In a domestic environment this product may cause radio interference in which case the user may be required to take adequate measures.



## Safety Instruction

These instructions are intended to ensure that user can use the product correctly to avoid danger or property loss.

The precaution measure is divided into **Warnings** and **Cautions**:

**Warnings:** Neglecting any of the warnings may cause serious injury or death.

**Cautions:** Neglecting any of the cautions may cause injury or device damage.

	
<b>Warnings</b> Follow these safeguards to prevent serious injury or death.	<b>Cautions</b> Follow these precautions to prevent potential injury or material damage.



### Warnings

- In the use of the product, you must be in strict compliance with the electrical safety regulations of the nation and region.
- Refer to technical specifications for detailed information.
- Input voltage should meet both the SELV (Safety Extra Low Voltage) and the Limited Power Source with 24 VAC or 12 VDC according to the IEC60950-1 standard. Refer to technical specifications for detailed information.
- Do not connect several devices to one power adapter as adapter overload may cause over-heating or a fire hazard.
- Make sure that the plug is firmly connected to the power socket.
- Make sure that the power has been disconnected before you wire, install or dismantle the speed dome.
- When the product is mounted on wall or ceiling, the device shall be firmly fixed.
- If smoke, odor or noise rise from the device, turn off the power at once and unplug the power cable, and then contact the service center.
- If the product does not work properly, contact your dealer or the nearest service center. Never attempt to disassemble the speed dome yourself. (We shall not assume any responsibility for problems caused by unauthorized repair or maintenance.)



### Cautions

- If the camera fails to synchronize local time with that of the network, you need to set up camera time manually. Visit the camera (via web browser or client software) and enter system settings interface for time settings.
- Make sure the power supply voltage is correct before using the speed dome.

- Do not drop the dome or subject it to physical shock, and do not expose it to high electromagnetism radiation. Avoid installation on vibrations surface or places subject to shock (ignorance can cause equipment damage).
- Do not touch sensor modules with fingers. If cleaning is necessary, use clean cloth with a bit of ethanol and wipe it gently. If the speed dome will not be used for an extended period, replace the lens cap to protect the sensor from dirt.
- Do not aim the speed dome at the sun or extra bright places. Blooming or smearing may occur otherwise (which is not a malfunction), and affect the endurance of sensor at the same time.
- The sensor may be burned out by a laser beam, so when any laser equipment is in using, make sure that the surface of sensor will not be exposed to the laser beam.
- Do not place the speed dome in extremely hot, cold, dusty or damp locations, and do not expose it to high electromagnetic radiation.
- To avoid heat accumulation, good ventilation is required for operating environment.
- Keep the speed dome away from liquid while in use.
- While in delivery, the speed dome shall be packed in its original packing, or packing of the same texture.
- Improper use or replacement of the battery may result in hazard of explosion. Replace with the same or equivalent type only. Dispose of used batteries according to the instructions provided by the battery manufacturer.

## Table of Contents

<b>1 Overview</b>	<b>1</b>
1.1 Cables	1
1.2 Memory Card	1
1.2.1 Type I Speed Dome	1
1.2.2 Type II Speed Dome	2
1.2.3 Type III Speed Dome	2
1.2.4 Type IV Speed Dome	3
<b>2 Installation</b>	<b>4</b>
2.1 Installing Type I Speed Dome	5
2.2 Installing Type II Speed Dome	7
2.3 Installing Type III Speed Dome	7
2.4 Installing Type IV Speed Dome	9
<b>3 Setting the Speed Dome over the LAN</b>	<b>12</b>
3.1 Wiring	12
3.2 Activating the Speed Dome	12
3.2.1 Activation via Web Browser	13
3.2.2 Activation via SADP Software	14
3.3 Modifying the IP Address	15
<b>4 Accessing via Web Browser</b>	<b>17</b>
<b>5 Operating via Hik-Connect App</b>	<b>19</b>
5.1 Enable Hik-Connect Service on Speed Dome	19
5.1.1 Enable Hik-Connect Service via SADP Software	19
5.1.2 Enable Hik-Connect Service via Web Browser	20
5.2 Hik-Connect Setup	20
5.3 Adding Camera to Hik-Connect	20
5.4 Initializing the Memory Card	21

# 1 Overview

## 1.1 Cables

The cable interfaces of the speed dome are shown in Figure 1-1. The cables are distinguished by different colors. Refer to the labels attached on the cables for identification.

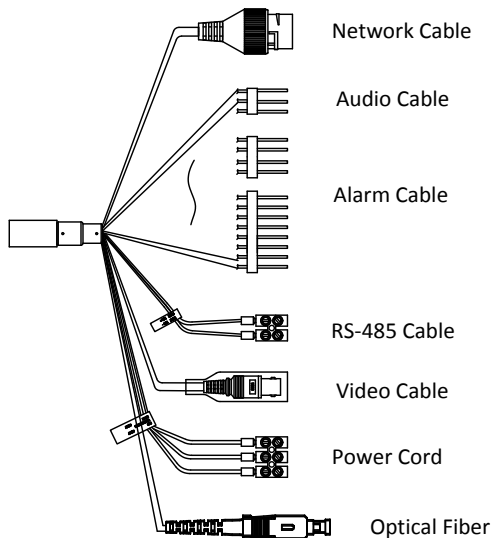


Figure 1-1 Cable Interface

### Notes:

- The cables vary depending on different speed dome models.
- Make sure the speed dome is power-off before you connect the cables.

## 1.2 Memory Card

### 1.2.1 Type I Speed Dome

The memory card slot is in the speed dome drive as shown in Figure 1-2.



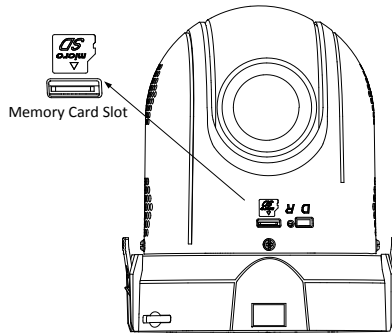


Figure 1-2 Type I Speed Dome

### 1.2.2 Type II Speed Dome

The memory card slot is in the speed dome drive as shown in Figure 1-3.

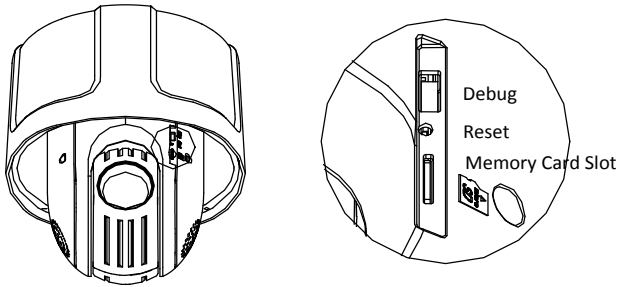


Figure 1-3 Type II Speed Dome

### 1.2.3 Type III Speed Dome

The memory card slot is on the back of the speed dome as shown in Figure 1-4.

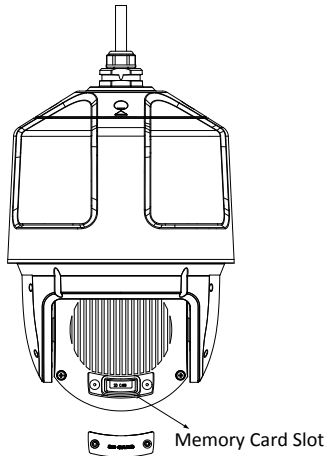


Figure 1-4 Type III Speed Dome

### 1.2.4 Type IV Speed Dome

The memory card slot is on the back of the speed dome as shown in Figure 1-5.

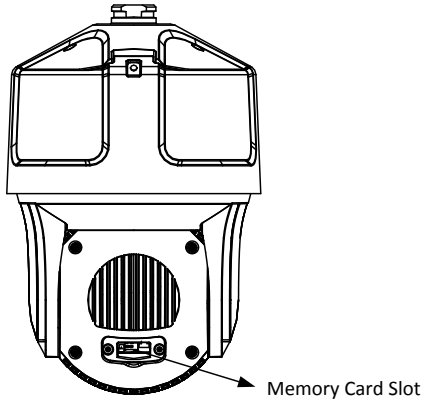


Figure 1-5 Type IV Speed Dome

## 2 Installation

### *Before you start:*

Check the package contents and make sure that the device in the package is in good condition and all the assembly parts are included.

### *Notes:*

- Do not touch the bubble directly by hand. The image blurs otherwise.
- Do not power the speed dome up until the installation is finished. To ensure the safety of personnel and equipment, all the installation steps should be done with power supply off.
- Do not drag the speed dome with its waterproof cables as shown in Figure 2-1; otherwise the waterproof performance is affected.

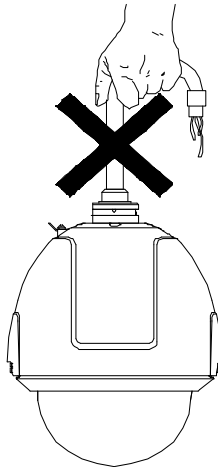


Figure 2-1 Do Not Drag the Cables

For the speed dome that supports IR, you are required to pay attention to the following precautions to prevent IR reflection:

- Dust or grease on the bubble will cause IR reflection. Do not remove the protective film until the installation is finished. If there is dust or grease on the bubble, clean the bubble with clean soft cloth and isopropyl alcohol.
- Make sure that there is no reflective surface too close to the lens. The IR light from the speed dome may reflect back into the lens causing reflection.

## Wall Mounting

The network speed dome supports different mounting methods, including wall mounting, column mounting, corner mounting, pedant mounting, etc. We will take wall mounting as an example in this Manual.

### Notes:

- For cement wall, you need to use the expansion screw to fix the bracket.
- For wooden wall, you can just use the self-tapping screw to fix the bracket.
- Make sure that the wall is strong enough to withstand more than eight times the weight of the speed dome and the accessories.
- The bracket in Figure 2-2 is the recommended bracket for this series of speed dome, and a pendant adapter is required if any other bracket is selected. The dimension of pendant adapter is  $G1\frac{1}{2}$ .

## 2.1 Installing Type I Speed Dome

### Steps:

1. Install the bracket.
  - 1) Drill four  $\Phi 12$  holes for expansion screws in the wall according to the holes of the bracket, and then insert four M8 expansion screws into the mounting holes.
  - 2) Route the cables from the bracket body, and hook the bracket to the wall by aligning the four screw holes of the bracket with expansion screws on the wall.
  - 3) Secure the bracket with four hex nuts and washers.

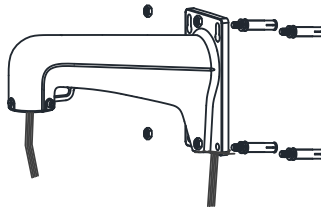


Figure 2-2 Install the Bracket

2. Install the memory card.
  - 1) Loosen the two lock screws on both sides of the speed dome.
  - 2) Pull the bubble carefully to separate it from the back box, and remove the protective material EPE as shown in Figure 2-3.  
Do not remove the lock screws from the speed dome.

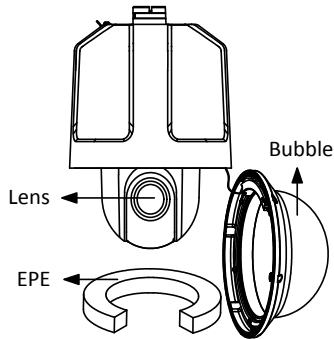


Figure 2-3 Remove the Bubble

- 3) Install the memory card (optional). Insert the memory card to the memory card slot.

**Note:**

The memory card can be installed in factory if you need.

- 4) Reinstall the bubble and tighten the lock screws.
3. Install the speed dome to the bracket.
    - 1) Hang the safety rope to the speed dome and the hook on the bracket.
    - 2) Route the cables of the speed dome through the bracket body, and connect the corresponding cables.
    - 3) Loosen the two lock screws on the bracket.
    - 4) Align the speed dome with the bracket as shown in Figure 2-4, and rotate the speed dome clockwise tightly.

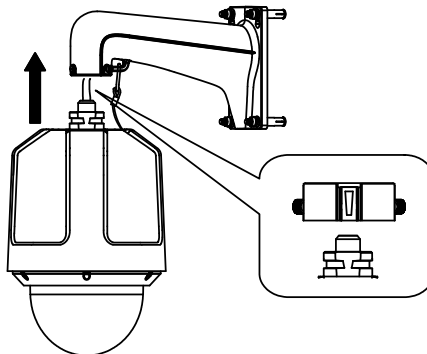


Figure 2-4 Install the Speed Dome

- 5) Secure the two lock screws with the wrench as shown in Figure 2-5.

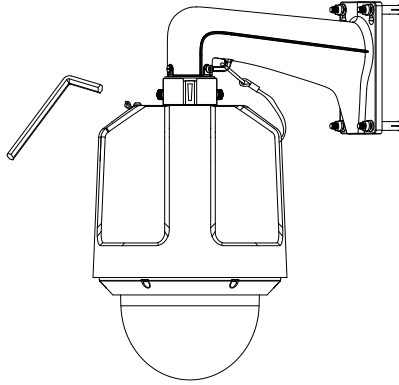


Figure 2-5 Secure the Speed Dome

## 2.2 Installing Type II Speed Dome

**Note:**

Installation for Type II Speed Dome is similar to installation for Type I Speed Dome. Refer to section **2.1 Installing Type I Speed Dome**.

## 2.3 Installing Type III Speed Dome

**Steps:**

1. Install the bracket.

**Note:**

Refer to step 1 in section **2.1 Installing Type I Speed Dome** for installing the wall mounting bracket.

2. Install the memory card.
  - 1) Remove the protective sticker on the bubble.

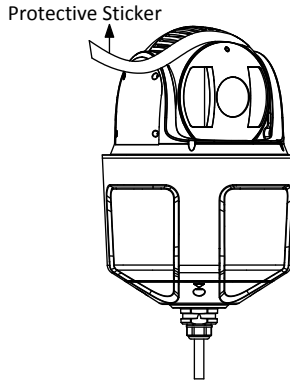


Figure 2-6 Remove the Protective Sticker

- 2) Install the memory card (optional). Unscrew the two screws on the back of the speed dome and remove the protective cover. Insert the memory card into the memory card slot.

**Note:**

The memory card can be installed in factory if you need.

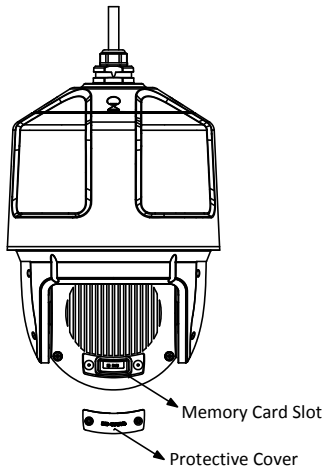


Figure 2-7 Install the Micro SD card

- 3) Reinstall the protective cover back and tighten the screws.
3. Install the speed dome to the bracket.

**Note:**

Refer to step 3 in section **2.1 Installing Type I Speed Dome** for installing the speed dome.

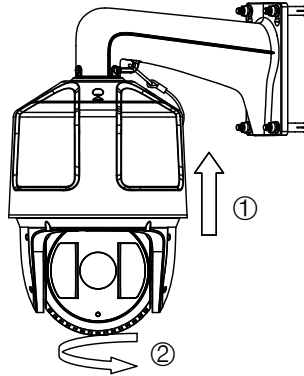


Figure 2-8 Install the Speed Dome

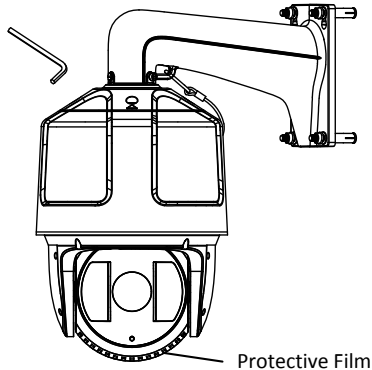


Figure 2-9 Secure the Speed Dome

## 2.4 Installing Type IV Speed Dome

### Steps:

1. Install the bracket.

**Note:**

Refer to step 1 in section **2.1 Installing Type I Speed Dome** for installing the wall mounting bracket.

2. Install the memory card.

**Note:**

Refer to step 2 in section **2.3 Installing Type III Speed Dome** for installing the memory card.



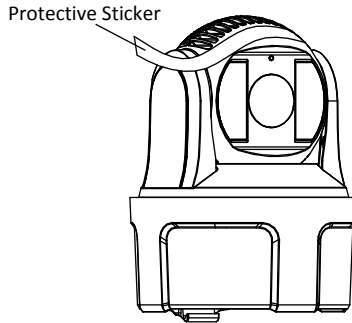


Figure 2-10 Remove the Protective Sticker

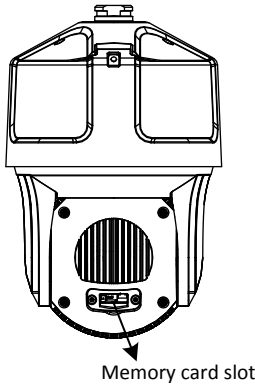


Figure 2-11 Install the Micro SD card

3. Install the speed dome to the bracket.
  - 1) Align the head cover with the bracket, and rotate the head cover clockwise or anticlockwise, then secure the two lock screws with the wrench as shown in Figure 2-12.

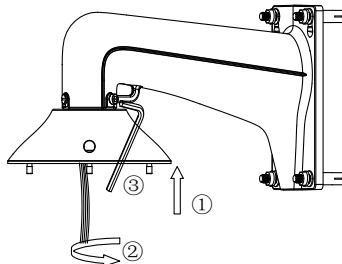


Figure 2-12 Install the Head Cover

- 2) Hang the safety rope to the speed dome and the hook on the bracket.
- 3) Hitch the speed dome onto the head cover with the hook on the back box.
- 4) Route the cables through the head cover and the bracket body, and connect the corresponding cables.

**Note:**

After cable connection, put the cables into the head cover.

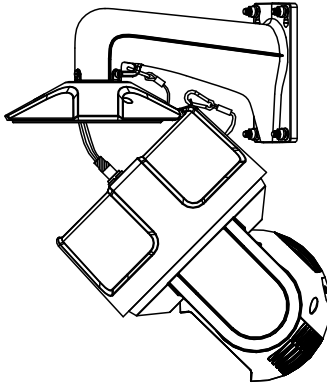


Figure 2-13 Hang the Speed Dome

- 5) Align the back box of the speed dome with the head cover.
- 6) Tighten the lock screws to secure the speed dome with the wrench.

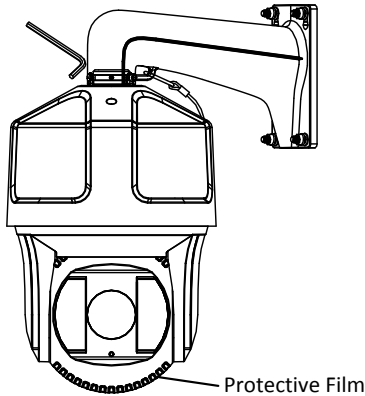


Figure 2-14 Secure the Speed Dome

## 3 Setting the Speed Dome over the LAN

### Notes:

- You shall acknowledge that the use of the product with Internet access might be under network security risks. For avoidance of any network attacks and information leakage, strengthen your own protection. If the product does not work properly, contact with your dealer or the nearest service center.
- To ensure the network security of the speed dome, we recommend you to have the speed dome assessed and maintained termly. You can contact us if you need such service.

### 3.1 Wiring

#### Purpose:

To view and configure the network speed dome via LAN (Local Area Network), you need to connect the network speed dome in the same subnet with your PC. Then, install the SADP or client software to search and change the IP address of network speed dome.

Connect the speed dome to network according to the following figures.

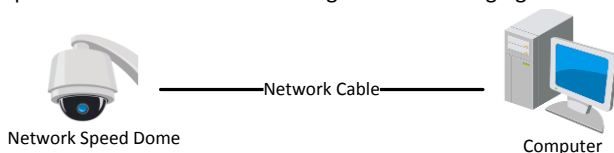


Figure 3-1 Connecting Directly

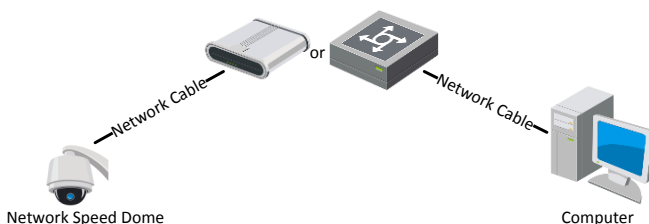


Figure 3-2 Connecting via a Switch or a Router

### 3.2 Activating the Speed Dome

#### Purpose:

You are required to activate the speed dome first by setting a strong password for it before you can use the speed dome.

Activation via web browser, activation via SADP, and activation via client software are supported. In the following sections, activation via web browser and SADP will be taken as examples.

**Note:**

For the details of activation via client software, refer to the user manual of the network camera.

### 3.2.1 Activation via Web Browser

**Steps:**

1. Power on the camera. Connect the camera to your computer or the switch/router which your computer connects to.
2. Input the IP address into the address bar of the web browser, and enter the activation interface.

**Notes:**

- The default IP address of the camera is 192.168.1.64.
- The computer and the camera should belong to the same subnet.
- For the camera enables the DHCP by default, you need to use the SADP software to search the IP address.

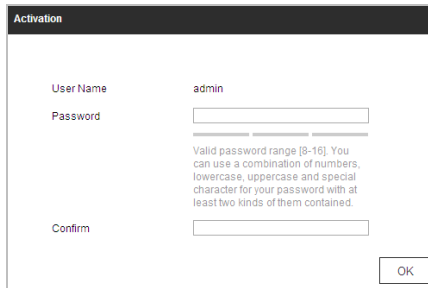


Figure 3-3 Activation Interface (Web)

3. Create a password and input the password into the password field.



**STRONG PASSWORD RECOMMENDED**– We highly recommend you create a strong password of your own choosing (Using a minimum of 8 characters, including at least three of the following categories: upper case letters, lower case letters, numbers, and special characters.) in order to increase the security of your product. And we recommend you reset your password regularly, especially in the high security system, resetting the password monthly or weekly can better protect your product.

4. Confirm the password.
5. Click **OK** to activate the speed dome and enter the live view interface.

### 3.2.2 Activation via SADP Software

SADP software is used for detecting the online device, activating the device, and resetting the password.

Get the SADP software from the supplied disk or the official website, and install the SADP according to the prompts.

Follow the steps to activate the speed dome.

#### Steps:

1. Run the SADP software to search the online devices.
2. Check the device status from the device list, and select an inactive device.

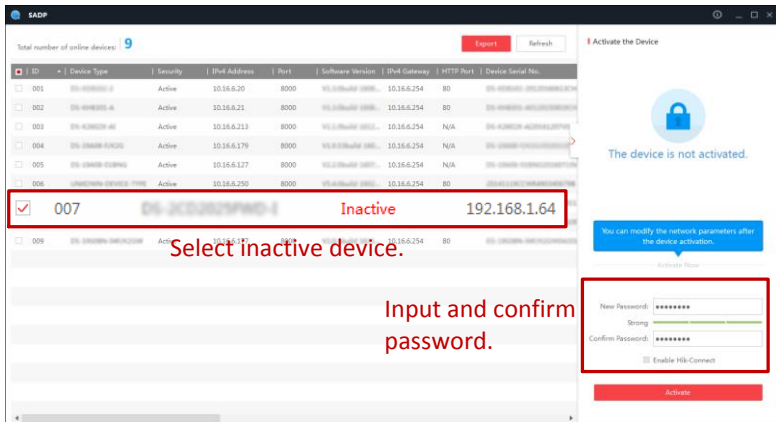


Figure 3-4 SADP Interface

#### Note:

The SADP software supports activating the camera in batch. Refer to the user manual of SADP software for details.

3. Create a password and input the password in the password field, and confirm the password.



**STRONG PASSWORD RECOMMENDED**— We highly recommend you create a strong password of your own choosing (Using a minimum of 8 characters, including at least three of the following categories: upper case letters, lower case letters, numbers, and special characters.) in order to increase the security of your product. And we recommend you reset your password regularly, especially in the high security system, resetting the password monthly or weekly can better protect your product.

#### Note:

You can enable the Hik-Connect service for the device during activation. Refer to section 5.1 **Enable Hik-Connect Service on Speed Dome**.

4. Click **Activate** to save the password.

**Note:**

You can check whether the activation is completed on the popup window. If activation failed, make sure that the password meets the requirement and try again.

### 3.3 Modifying the IP Address

**Purpose:**

To view and configure the camera via LAN (Local Area Network), you need to connect the network camera in the same subnet with your PC.

Use the SADP software or client software to search and change the IP address of the device. We take modifying the IP Address via SADP software as an example to introduce the IP address modification.

**Note:**

For IP address modification via client software, refer to the user manual of client software.

**Steps:**

1. Run the SADP software.
2. Select an active device.
3. Change the device IP address to the same subnet with your computer by either modifying the IP address manually or checking **Enable DHCP**.

**Modify Network Parameters**

Enable DHCP  
 Enable Hik-Connect

Device Serial No.: XX-XXXXXXXX-XXXXXXXXXXXXXXXXXX

IP Address: 192.168.1.64

Port: 8000

Subnet Mask: 255.255.255.0

Gateway: 192.168.1.1

IPv6 Address: ::

IPv6 Gateway: ::

IPv6 Prefix Length: 0

HTTP Port: 80

Security Verification

Admin Password: \_\_\_\_\_

**Modify**

[Forgot Password](#)

Figure 3-5 Modify the IP Address

**Note:**

You can enable the Hik-Connect service for the device during activation. Refer to section **5.1 Enable Hik-Connect Service on Speed Dome**.

4. Input the admin password and click **Modify** to activate your IP address modification. The batch IP address modification is supported by SADP. Refer to the user manual of SADP for details.

## 4 Accessing via Web Browser

### System Requirement:

Operating System: Microsoft Windows XP SP1 and above version/Vista/Win7/Server 2003/Server 2008 32bits

CPU: Intel Pentium IV 3.0 GHz or higher

RAM: 1G or higher

Display: 1024 × 768 resolution or higher

Web Browser: Internet Explorer 8 to 11, Google Chrome 31 to 44, and Mozilla Firefox 30 to 51

### Steps:

1. Open the web browser.
2. In the browser address bar, input the IP address of the network speed dome, and enter the login interface.

#### Note:

The default IP address is 192.168.1.64. You are recommended to change the IP address to the same subnet with your computer.

3. Input the user name and password.

The admin user should configure the device accounts and user/operator permissions properly. Delete the unnecessary accounts and user/operator permissions.

#### Note:

The device IP address gets locked if the admin user performs 7 failed password attempts (5 attempts for the user/operator).

4. Click **Login**.



Figure 4-1 Login Interface

5. Install the plug-in before viewing the live video and managing the network speed dome. Follow the installation prompts to install the plug-in.

#### Note:

You may have to close the web browser to finish the installation of the plug-in.





Figure 4-2 Download Plug-in

6. Reopen the web browser after the installation of the plug-in and repeat the above step 2 to step 4 to login.

**Note:**

For detailed instructions of further configuration, refer to the user manual of the network camera.

## 5 Operating via Hik-Connect App

### **Purpose:**

Hik-Connect is an application for mobile devices. With the App, you can view live image of the camera, receive alarm notification and so on.

### 5.1 Enable Hik-Connect Service on Speed Dome

#### **Purpose:**

Hik-Connect service should be enabled on your camera before using the service. You can enable the service through SADP software or web browser.

#### 5.1.1 Enable Hik-Connect Service via SADP Software

##### **Steps:**

1. Check **Enable Hik-Connect** on:
  - 1) "Activate the Device" page during camera activation, refer to section **3.2.2 Activation via SADP Software**.
  - 2) Or "Modify Network Parameters" page during modifying IP address, refer to section **3.3 Modifying the IP Address**.

##### **Note:**

The functions vary depending on different camera models.

2. Create a verification code or change the verification code.

The screenshot shows a 'Tips' dialog box with a red header. The main text reads: 'To enable Hik-Connect service, you need to create a verification code or change the verification code.' Below this are two input fields: 'Verification Code' and 'Confirm Verification Code', both containing six dots. To the right of the first field is a note: '6 to 12 letters or numbers, case sensitive. You are recommended to use a combination of no less than 8 letters or numbers.' At the bottom right are two buttons: 'Confirm' (red) and 'Cancel' (white).

Figure 5-1 Verification Code Setting (SADP)

##### **Note:**

The verification code is required when you add the camera to Hik-Connect app.

3. Click and read "Terms of Service" and "Privacy Policy".
4. Confirm the settings.

## 5.1.2 Enable Hik-Connect Service via Web Browser

### **Before you start:**

You need to activate the camera before enabling the service. Refer to section **3.2 Activating the Speed Dome**.

### **Steps:**

1. Access the camera via web browser. Refer to chapter **4 Accessing via Web Browser**.
2. Enter platform access configuration interface:  
Configuration > Network > Advanced Settings > Platform Access
3. Check **Enable**.
4. Click and read "Terms of Service" and "Privacy Policy" in pop-up window.
5. Create a verification code or change the verification code for the camera

### **Note:**

The verification code is required when you add the camera to Hik-Connect app.

6. Save the settings.

## 5.2 Hik-Connect Setup

### **Steps:**

1. Download and install the Hik-Connect app by searching "Hik-Connect" in App Store or Google Play™.
2. Launch the app and register for a Hik-Connect user account.
3. Log in Hik-Connect app after registration.

## 5.3 Adding Camera to Hik-Connect

### **Before you start:**

You need to enable the Hik-Connect service on camera before adding it to your Hik-Connect account. Refer to section **5.1 Enable Hik-Connect Service on Speed Dome**.

### **Steps:**

1. Use a network cable to connect the camera with a router if the camera does not support Wi-Fi.



Figure 5-2 Connect a Router

### **Note:**

After the camera connects to the network, wait one minute before any operation on the camera using Hik-Connect app.

2. In the Hik-Connect app, tap “+” on the upper-right corner and then scan the QR code of the camera to add the camera.

You can find the QR code on the camera or on the cover of the quick start guide of the camera in the package.

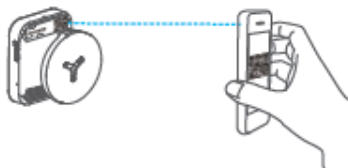



Figure 5-3 Scan QR Code

**Note:**

If the QR code is missing or too blur to be recognized, you can also add the camera by tapping the  icon and inputting the camera's serial number.

3. Input the verification code of your camera.

**Notes:**

- The required verification code is the code you create or change when you enabling Hik-Connect service on camera.
  - If you forget the verification code, you can check the current verification code on **Platform Access** configuration page via web browser.
  - The functions vary depending on different camera models.
4. Follow the prompts to set the network connection and add the camera to your Hik-Connect account.

**Note:**

For detailed information, refer to the user manual of the Hik-Connect app.

## 5.4 Initializing the Memory Card

Check the memory card status by tapping on the Storage Status in the Device Settings interface.

If the memory card status displays as Uninitialized, tap to initialize it. The status will then change to Normal. You can then start recording any event triggered video in the camera such as motion detection.

