

2MP WIFI Fixed Dome Network Camera

IPC322SR3-VSF28W-D



Key Features

Optics

- Day/night functionality
- SmartIR, up to 30 m (98 ft) IR distance
- 2D/3D DNR (Digital Noise Reduction)

Compression

- Ultra 265, H.265, H.264, MJPEG
- Triple streams

Network

- ONVIF Conformance

Structure

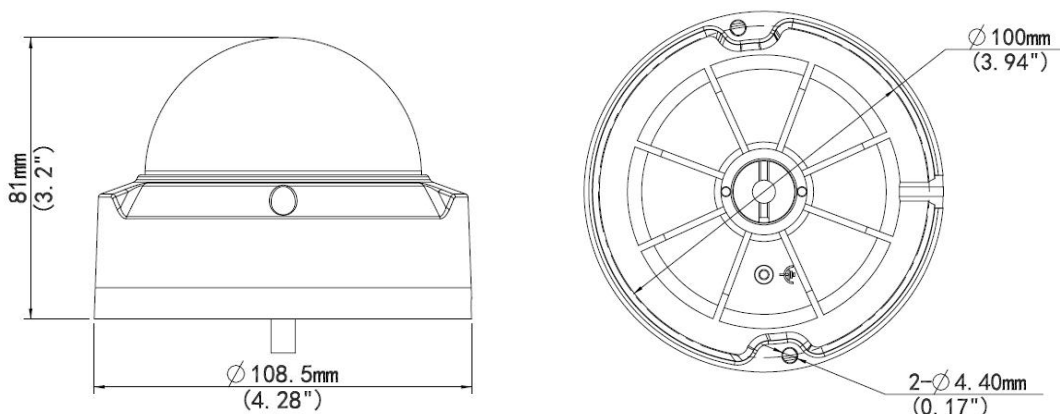
- Wide temperature range: -30°C to 60°C (-22°F to 140°F)
- Wide input voltage range of $\pm 25\%$
- IP67
- IK10

Specifications

| IPC322SR3-VSF28W-D | | | | | |
|-------------------------|---|-----------|--------------|--------------|-----------------|
| Camera | | | | | |
| Sensor | 1/2.7", progressive scan , 2.0 megapixel, CMOS | | | | |
| Lens | 2.8 mm@F2.0 | | | | |
| DORI Distance | Lens | Detect(m) | Observe(m) | Recognize(m) | Identify(m) |
| | 2.8mm | 42 | 16.8 | 8.4 | 4.2 |
| Angle of View (H) | 112.7° | | | | |
| Angle of View (V) | 60.1° | | | | |
| Angle of View (O) | 146.5° | | | | |
| Adjustment angle | Pan: 0°~360° | | Tilt: 0°~68° | | Rotate: 0°~360° |
| Shutter | Auto/Manual, 1~1/100000 s | | | | |
| Min. Illumination | Colour: 0.02 Lux (F2.0, AGC ON) 0 Lux with IR | | | | |
| Day/Night | IR-cut filter with auto switch (ICR) | | | | |
| Digital noise reduction | 2D/3D DNR | | | | |
| S/N | >52dB | | | | |
| IR Range | Up to 30m (98 ft) IR range | | | | |
| Defog | Digital Defog | | | | |
| WDR | DWDR | | | | |
| Video | | | | | |
| Video Compression | Ultra 265, H.265, H.264, MJPEG | | | | |
| H.264 code profile | Baseline profile, Main Profile | | | | |
| Frame Rate | Main Stream:2MP (1920×1080): Max. 20 fps; Sub Stream: 720P (1280×720): Max. 20 fps; Third Stream: 4CIF (704×576): Max. 20 fps | | | | |
| HLC | Supported | | | | |
| BLC | Supported | | | | |
| OSD | Up to 4 OSDs | | | | |
| Privacy Mask | Up to 4 areas | | | | |
| ROI | Up to 2 areas | | | | |
| Motion Detection | Up to 4 areas | | | | |
| General Function | Watermark, IP Address Filtering, Tampering Alarm, Access Policy, ARP Protection, RTSP Authentication, User Authentication | | | | |
| Storage | | | | | |
| Edge Storage | Micro SD, up to 256 GB | | | | |
| Network Storage | ANR | | | | |
| Network | | | | | |
| Protocols | IPv4, IGMP, ICMP, ARP, TCP, UDP, DHCP, RTP, RTSP, RTCP, DNS, DDNS, NTP, FTP, UPnP, HTTP, HTTPS, SMTP, QoS | | | | |
| Compatible Integration | ONVIF(Profile S, Profile G, Profile T), API | | | | |
| Wi-Fi | | | | | |
| Wireless Standards | IEEE802.11b/g/n | | | | |

| | |
|---------------------|---|
| Frequency Range | 2.4 GHz ~ 2.4835 GHz |
| Channel Bandwidth | 20 MHz Support |
| Modulation Mode | 802.11b: CCK, QPSK, BPSK 802.11g/n: OFDM/HT |
| Security | 64/128-bit WEP, WPA/WPA2, WPA-PSK/WPA2-PSK, WPS |
| Transmit Power | 802.11b: 17±1.5dBm @11Mbps 802.11g: 14±1.5dBm @54Mbps 802.11n: 12.5±1.5dBm @150Mbps |
| Receive Sensitivity | 802.11b: -90dBm @11Mbps (Typical) 802.11g: -75dBm @54Mbps (Typical) 802.11n: -74dBm @150Mbps(Typical) |
| Transmission Rate | 802.11b: 11Mbps 802.11g: 54Mbps 802.11n: up to 150Mbps |
| Interface | |
| Network | 1 RJ45 10M/100M Base-TX Ethernet |
| General | |
| Power | 12 V DC(+/-25%) |
| | Power consumption: Max 5W |
| Dimensions (Ø x H) | Ø109 x 81 mm (Ø4.29" x 3.2") |
| Weight | 0.45 kg (0.99 lb) |
| Working Environment | -30°C ~ +60°C (-22°F ~ 140°F), Humidity:≤95% RH(non-condensing) |
| Ingress Protection | IP67 |
| Vandal Resistent | IK10 |

Dimensions



Zhejiang Uniview Technologies Co., Ltd.

Building No.10, Wanlun Science Park, Jiangling Road 88, Binjiang District, Hangzhou, Zhejiang, China

Email: overseasbusiness@uniview.com; globalsupport@uniview.com

<http://www.uniview.com>

©2019 Zhejiang Uniview Technologies Co.,Ltd. All rights reserved.

*Product specifications and availability are subject to change without notice.